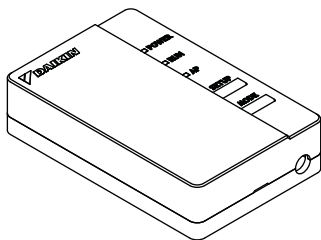




4P359542-2S

Wireless LAN Connecting Adapter
<BRP069A42>

Installation Manual



Homepage: <http://www.onlinecontroller.daikineurope.com>


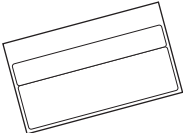
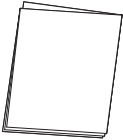
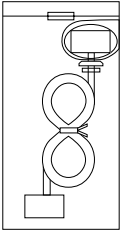
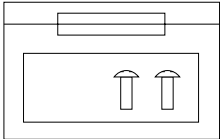
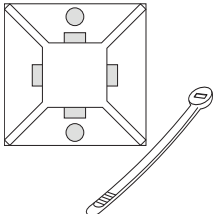


- ◆ For details on specifications, installation instructions, setting methods, FAQ, copy of the original declaration of conformity and the latest version of this manual, see the above homepage.

- ◆ Hereby, Daikin Industries Czech Republic s.r.o. declares that the radio equipment type BRP069A42 is in compliance with Directive 2014/53/EU.

Accessories

Check if the following accessories are included in your package.

Model BRP069A42 ※1 Affix to the seal attachment on the back face of this sheet and store in a safe place.		
(A) Wireless LAN connecting adapter 	(B) Serial number seal (1 sheet) ※1 	(C) Installation manual (1pc) 
(D) Wire harness 	(E) Screws and adhesive tape 	(F) Cable tie with base 

Safety precautions

- ◆ The following describes the meanings of pictorial symbols used in this documentation.

Give this installation manual to the customer when installation is completed.

- ◆ To conduct a test run of the air conditioner, follow the installation manual for the air conditioner unit.



The protection of appliances marked with this symbol is ensured by double insulation and does not require a safety connection to electrical earth (ground).



Prohibited



Follow directions



Warning

Situations which could result in death or serious injury.

When installing:



- Request installation by your dealer or a technician.
(Can cause electric shock or fire.)
- Always use the accessories and specified parts for installation. Be sure to follow the directions in this installation manual.
(Can cause the unit to fall, electric shock or fire.)
- Electrical work should be carried out in accordance with the installation manual and the national electrical wiring rules or code of practice.
- Always turn off the power supply when installing.
(Touching the electrical parts can cause an electric shock.)
The main switch of the installation is on the outdoor unit.
Please switch off this main switch to turn off the power supply.

Safety precautions



Warning

Situations which could result in death or serious injury.

When using:



- Do not disassemble, modify, or repair.
(Can cause fire, electric shock or injury.)
- Do not handle this product with wet hands.
(Can cause electric shock or fire.)
- Do not allow this product to get wet or use it when bathing or doing similar activities with water.
(Can cause electric shock or fire.)
- Do not use this product near medical equipment or persons using cardiac pacemakers or defibrillators. This product may cause life-threatening electromagnetic interference.
- Do not use this product near auto-control equipment such as automatic doors or fire alarm equipment.
(Can cause accidents due to erroneous equipment behavior.)



-
- Immediately disconnect the air conditioner power plug if there is abnormal odor or sound, when it is overheating, or smoking.
(Can cause fire or malfunction.)
 - ◆ Request an inspection by your dealer.
 - Disconnect the air conditioner power plug if the product was dropped or the case is damaged.
(Can cause fire or electric shock)
 - ◆ Request an inspection by your dealer.

Safety precautions



Caution

Situations which could result in damage or physical injury.

When installing:



- Do not install where flammable gas leaks can occur.
(Can cause fire.)



- Grip the connector when disconnecting the connecting cord.
(Otherwise fire or electric shock can occur.)

When using:



- Do not use where small children can get access.
(Can cause injuries.)

- Do not use this product near a microwave oven.
(This can affect Wireless LAN communications.)

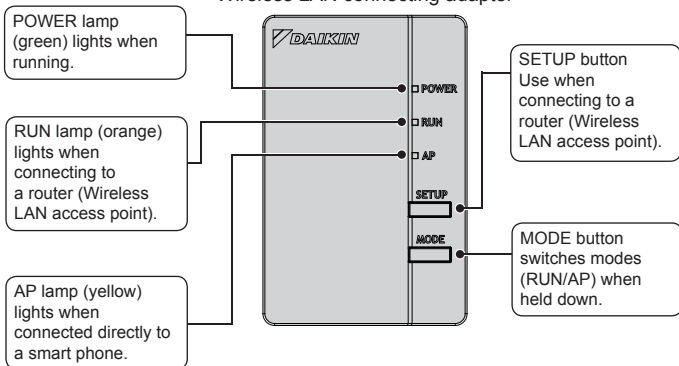
Disposal requirements



- Your product is marked with this symbol. This symbol means that electrical and electronic products shall not be mixed with unsorted household waste.
- Do not try to dismantle the system yourself: the dismantling of the product and of other parts must be done by a qualified installer in accordance with relevant local and national legislation.
- Product and waste must be treated at a specialized treatment facility for re-use, recycling and recovery.
- By ensuring correct disposal, you will help to prevent potential negative consequences for the environment and human health. Please contact the installer or local authority for more information.

Main components

Wireless LAN connecting adapter



Main components

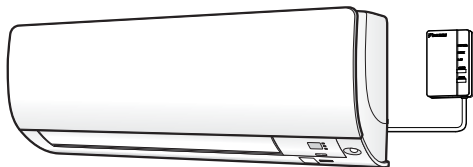
Basic parameters:

Frequency range:	2400 MHz~2483.5 MHz
Radio protocol:	IEEE 802.11b/g/n
RF channel:	1~13
Output power:	0 dBm~18 dBm
ERP:	17 dBm (11b) / 13 dBm (11g) / 12 dBm (11n)
Power supply:	DC 14 V / 100 mA

RF channel: Radio frequency channel

ERP: Effective radiated power

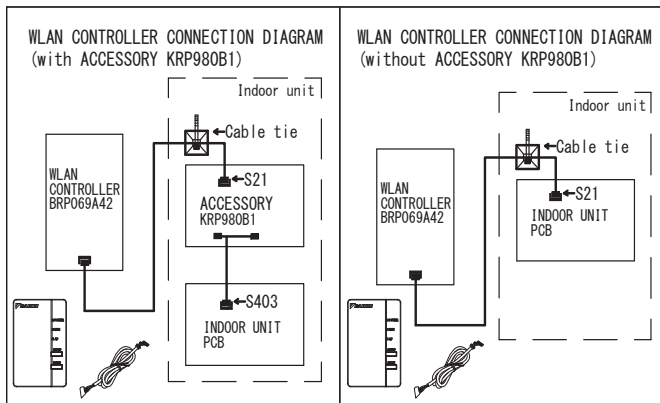
BRP069A42



The indoor unit
may differ from
the illustration

Installation

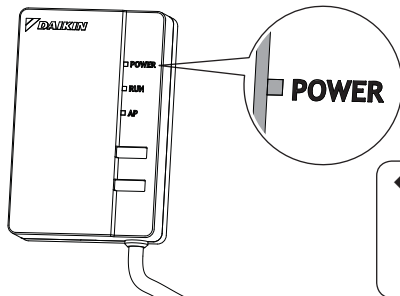
1 Connection Diagram



2 Functionality Check

■ BRP069A42

Turn on the power supply and check that the [POWER] lamp for the product lights.



- ◆ When turning on the power, always attach the adapter case (top).

The customer is responsible for providing the following.

- Smartphone or tablet PC
(Supported OS: Android 2.3.3 or later; iOS 5.0 or later.)
- Internet line and communicating device
(Modem/router or similar device)
- Wireless LAN access point
- [Daikin online controller] (No cost)

Installation method of Daikin online controller

For Android Phones

- (1) Open the [Google Play].
- (2) Search for [Daikin online controller].
- (3) Follow the directions on the screen to install.

For iPhones

- (1) Open the [App Store].
- (2) Search for [Daikin online controller].
- (3) Follow the directions on the screen to install.

Refer to

<http://www.onlinecontroller.daikineurope.com>

for detailed installation instructions.

Troubleshooting

The following table provides brief descriptions of how to handle trouble or uncertainties when you install the product or make connection settings. Refer to the FAQ on the homepage for more details.

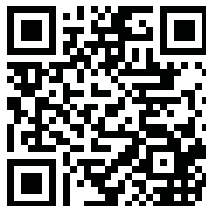
When this happens	Explanation and where to check
None of the lamps light.	→ Check the installation. The product is behaving incorrectly. → Turn off the air conditioner power and restart it.
The system (air conditioner) is not listed on the system list screen.	→ Check that the power is on. → Check that the RUN/AP lamp is lit. → Retry to connect the adapter to the wireless network. → Move the router (wireless LAN access point) closer to the product → It is possible that you are using a smartphone, access point or wireless router that is not supported. → Make sure that the smartphone or tablet is connected to the same wireless LAN network as the WLAN adapter. See the homepage for details.
When trying to make a direct connection to the adapter ([AP] mode), the adapter is not visible in the available Wi-Fi networks list of the phone/tablet.	When in [AP] mode, go back to [RUN] mode and return to [AP] mode by pressing the [MODE] button for about 2 seconds, this to switch to another Wi-Fi channel. Repeat if necessary.

DAIKIN INDUSTRIES CZECH REPUBLIC s.r.o.

U Nové Hospody 1/1155, 301 00 Plzeň Skvrňany, Czech Republic

DAIKIN EUROPE N.V.

Zandvoordestraat 300, B-8400 Oostende, Belgium



4P359542-2S 2017.05