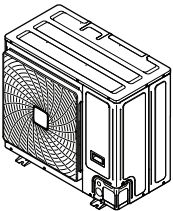




# Installation and operation manual

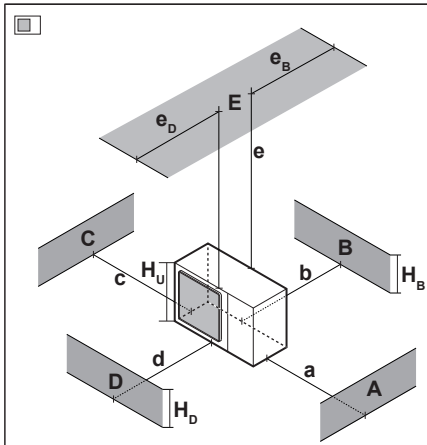
## VRV IV-S system air conditioner



RXYSCQ4TMV1B  
RXYSCQ5TMV1B  
RXYSCQ6TMV1B

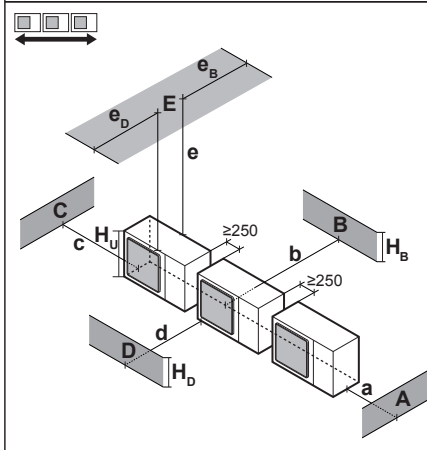
Installation and operation manual  
VRV IV-S system air conditioner

English



A~E	H <sub>B</sub> H <sub>D</sub> H <sub>U</sub>	(mm)						
		a	b	c	d	e	e <sub>B</sub>	e <sub>D</sub>
B	—		≥100					
A, B, C	—	≥250	≥100	≥100				
B, E	—		≥100			≥1000		≤500
A, B, C, E	—	≥250	≥150	≥150		≥1000		≤500
D	—				≥500			
D, E	—				≥500	≥1000	≤500	
B, D	—		≥100		≥500			
B, D, E	H <sub>B</sub> < H <sub>D</sub>	H <sub>B</sub> ≤ ½H <sub>U</sub>	≥250		≥750	≥1000	≤500	
		½H <sub>U</sub> < H <sub>B</sub> ≤ H <sub>U</sub>	≥250		≥1000	≥1000	≤500	
	H <sub>B</sub> > H <sub>D</sub>	⊘						
	H <sub>B</sub> > H <sub>D</sub>	H <sub>B</sub> ≤ ½H <sub>U</sub>	≥100		≥1000	≥1000		≤500
		½H <sub>U</sub> < H <sub>B</sub> ≤ H <sub>U</sub>	≥200		≥1000	≥1000		≤500
H <sub>D</sub> > H <sub>U</sub>	⊘							

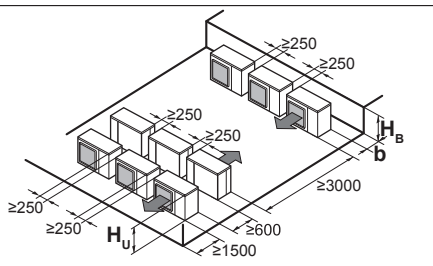
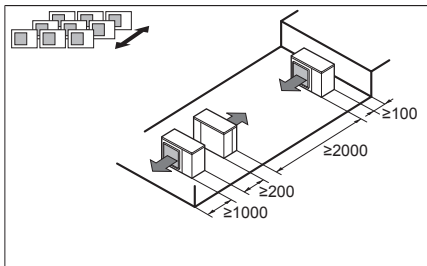
1



A, B, C	—	≥250	≥300	≥1000				
A, B, C, E	—	≥250	≥300	≥1000		≥1000		≤500
D	—				≥1000			
D, E	—				≥1000	≥1000	≤500	
B, D	H <sub>D</sub> > H <sub>U</sub>	≥300		≥1000				
	H <sub>D</sub> ≤ ½H <sub>U</sub>	≥250		≥1500				
	½H <sub>U</sub> < H <sub>D</sub> ≤ H <sub>U</sub>	≥300		≥1500				
B, D, E	H <sub>B</sub> < H <sub>D</sub>	H <sub>B</sub> ≤ ½H <sub>U</sub>	≥300		≥1000	≥1000	≤500	
		½H <sub>U</sub> < H <sub>B</sub> ≤ H <sub>U</sub>	≥300		≥1250	≥1000	≤500	
	H <sub>B</sub> > H <sub>D</sub>	⊘						
	H <sub>B</sub> > H <sub>D</sub>	H <sub>B</sub> ≤ ½H <sub>U</sub>	≥250		≥1000	≥1000		≤500
		½H <sub>U</sub> < H <sub>B</sub> ≤ H <sub>U</sub>	≥300		≥1000	≥1000		≤500
H <sub>D</sub> > H <sub>U</sub>	⊘							

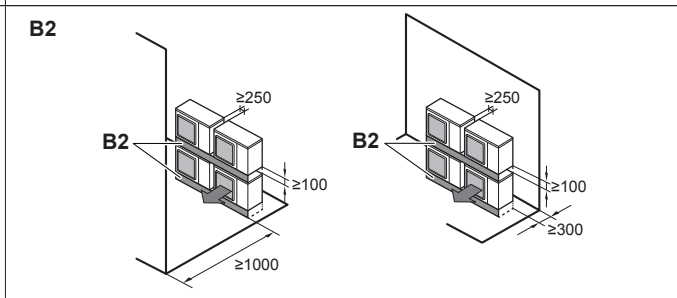
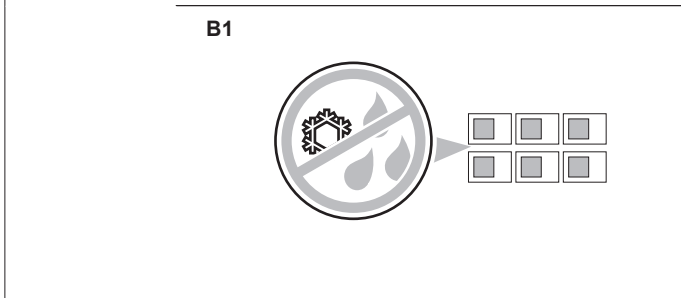
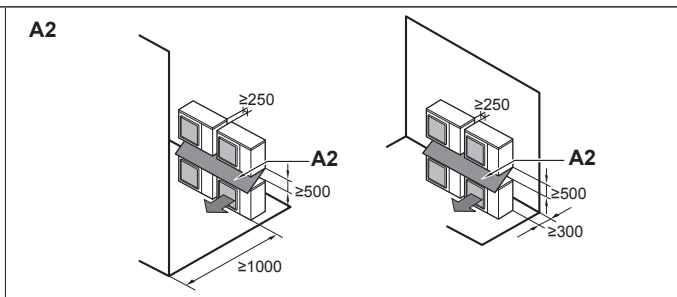
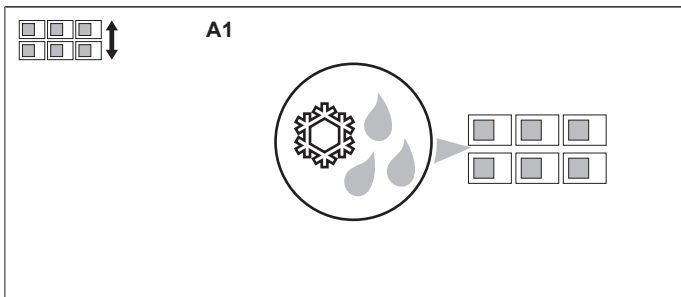
1+2

1



H <sub>B</sub> H <sub>U</sub>	b (mm)
H <sub>B</sub> ≤ ½H <sub>U</sub>	b ≥ 250
½H <sub>U</sub> < H <sub>B</sub> ≤ H <sub>U</sub>	b ≥ 300
H <sub>B</sub> > H <sub>U</sub>	⊘

2



3

## Table of Contents

	6.1.7	Mode 1 (and default situation): Monitoring settings .....	16
	6.1.8	Mode 2: Field settings .....	16
	6.1.9	To connect the PC configurator to the outdoor unit .....	19
<b>1</b>	<b>About the documentation</b>		<b>4</b>
1.1	About this document .....		4
<b>For the installer</b>			<b>4</b>
<b>2</b>	<b>About the box</b>		<b>4</b>
2.1	Outdoor unit .....		4
2.1.1	To remove the accessories from the outdoor unit .....		4
<b>3</b>	<b>About the units and options</b>		<b>4</b>
3.1	About the outdoor unit .....		4
3.2	System layout .....		4
<b>4</b>	<b>Preparation</b>		<b>5</b>
4.1	Preparing the installation site .....		5
4.1.1	Installation site requirements of the outdoor unit .....		5
4.1.2	Additional installation site requirements of the outdoor unit in cold climates .....		5
4.2	Preparing refrigerant piping .....		5
4.2.1	Refrigerant piping requirements .....		5
4.2.2	Refrigerant piping material .....		5
4.2.3	To select the piping size .....		5
4.2.4	To select refrigerant branch kits .....		6
4.3	Preparing electrical wiring .....		6
4.3.1	Safety device requirements .....		6
<b>5</b>	<b>Installation</b>		<b>7</b>
5.1	Opening the units .....		7
5.1.1	To open the outdoor unit .....		7
5.2	Mounting the outdoor unit .....		7
5.2.1	To provide the installation structure .....		7
5.2.2	To install the outdoor unit .....		7
5.2.3	To provide drainage .....		7
5.2.4	To prevent the outdoor unit from falling over .....		7
5.3	Connecting the refrigerant piping .....		8
5.3.1	Using the stop valve and service port .....		8
5.3.2	To connect the refrigerant piping to the outdoor unit ..		8
5.4	Checking the refrigerant piping .....		9
5.4.1	About checking the refrigerant piping .....		9
5.4.2	Checking refrigerant piping: General guidelines .....		10
5.4.3	Checking refrigerant piping: Setup .....		10
5.4.4	To perform a leak test .....		10
5.4.5	To perform vacuum drying .....		10
5.5	To insulate the refrigerant piping .....		10
5.6	Charging refrigerant .....		11
5.6.1	Precautions when charging refrigerant .....		11
5.6.2	To determine the additional refrigerant amount .....		11
5.6.3	To charge refrigerant .....		11
5.6.4	Error codes when charging refrigerant .....		12
5.6.5	To fix the fluorinated greenhouse gases label .....		12
5.7	Connecting the electrical wiring .....		12
5.7.1	Field wiring: Overview .....		12
5.7.2	Guidelines when knocking out knockout holes .....		13
5.7.3	Guidelines when connecting the electrical wiring .....		13
5.7.4	To connect the electrical wiring on the outdoor unit .....		13
5.8	Finishing the outdoor unit installation .....		14
5.8.1	To finish the transmission wiring .....		14
<b>6</b>	<b>Configuration</b>		<b>14</b>
6.1	Making field settings .....		14
6.1.1	About making field settings .....		14
6.1.2	To access the field setting components .....		14
6.1.3	Field setting components .....		14
6.1.4	To access mode 1 or 2 .....		15
6.1.5	To use mode 1 .....		15
6.1.6	To use mode 2 .....		15
<b>7</b>	<b>Commissioning</b>		<b>19</b>
7.1	Precautions when commissioning .....		19
7.2	Checklist before commissioning .....		19
7.3	Checklist during commissioning .....		19
7.3.1	About the test run .....		20
7.3.2	To perform a test run (7-LEDs display) .....		20
7.3.3	Correcting after abnormal completion of the test run ..		20
<b>8</b>	<b>Troubleshooting</b>		<b>20</b>
8.1	Solving problems based on error codes .....		20
8.1.1	Error codes: Overview .....		20
<b>9</b>	<b>Technical data</b>		<b>22</b>
9.1	Service space: Outdoor unit .....		22
9.2	Piping diagram: Outdoor unit .....		22
9.3	Wiring diagram: Outdoor unit .....		23
<b>For the user</b>			<b>24</b>
<b>10</b>	<b>About the system</b>		<b>24</b>
10.1	System layout .....		24
<b>11</b>	<b>User interface</b>		<b>24</b>
<b>12</b>	<b>Operation</b>		<b>24</b>
12.1	Operation range .....		24
12.2	Operating the system .....		24
12.2.1	About operating the system .....		24
12.2.2	About cooling, heating, fan only, and automatic operation .....		24
12.2.3	About the heating operation .....		24
12.2.4	To operate the system .....		25
12.3	Using the dry program .....		25
12.3.1	About the dry program .....		25
12.3.2	To use the dry program .....		25
12.4	Adjusting the air flow direction .....		25
12.4.1	About the air flow flap .....		25
12.5	Setting the master user interface .....		25
12.5.1	About setting the master user interface .....		25
12.5.2	To designate the master user interface (VRV DX) .....		26
12.5.3	To designate the master user interface (RA DX) .....		26
<b>13</b>	<b>Maintenance and service</b>		<b>26</b>
13.1	About the refrigerant .....		26
13.2	After-sales service and warranty .....		26
13.2.1	Warranty period .....		26
13.2.2	Recommended maintenance and inspection .....		26
<b>14</b>	<b>Troubleshooting</b>		<b>27</b>
14.1	Error codes: Overview .....		27
14.2	Symptoms that are NOT system malfunctions .....		28
14.2.1	Symptom: The system does not operate .....		28
14.2.2	Symptom: Fan operation is possible, but cooling and heating do not work .....		28
14.2.3	Symptom: The fan speed does not correspond to the setting .....		28
14.2.4	Symptom: The fan direction does not correspond to the setting .....		28
14.2.5	Symptom: White mist comes out of a unit (Indoor unit) .....		28
14.2.6	Symptom: White mist comes out of a unit (Indoor unit, outdoor unit) .....		28
14.2.7	Symptom: The user interface reads "U4" or "U5" and stops, but then restarts after a few minutes .....		28
14.2.8	Symptom: Noise of air conditioners (Indoor unit) .....		29
14.2.9	Symptom: Noise of air conditioners (Indoor unit, outdoor unit) .....		29

# 1 About the documentation

14.2.10	Symptom: Noise of air conditioners (Outdoor unit).....	29
14.2.11	Symptom: Dust comes out of the unit.....	29
14.2.12	Symptom: The units can give off odours.....	29
14.2.13	Symptom: The outdoor unit fan does not spin.....	29
14.2.14	Symptom: The display shows "88".....	29
14.2.15	Symptom: The compressor in the outdoor unit does not stop after a short heating operation.....	29
14.2.16	Symptom: The inside of an outdoor unit is warm even when the unit has stopped.....	29
14.2.17	Symptom: Hot air can be felt when the indoor unit is stopped.....	29

**15 Relocation** **29**

**16 Disposal** **29**

## 1 About the documentation

### 1.1 About this document

#### Target audience

Authorised installers + end users



#### INFORMATION

This appliance is intended to be used by expert or trained users in shops, in light industry and on farms, or for commercial use by lay persons.

#### Documentation set

This document is part of a documentation set. The complete set consists of:

- **General safety precautions:**
  - Safety instructions that you must read before installing
  - Format: Paper (in the box of the outdoor unit)
- **Outdoor unit installation and operation manual:**
  - Installation and operation instructions
  - Format: Paper (in the box of the outdoor unit)
- **Installer and user reference guide:**
  - Preparation of the installation, reference data,...
  - Detailed step-by-step instructions and background information for basic and advanced usage
  - Format: Digital files on <http://www.daikineurope.com/support-and-manuals/product-information/>

Latest revisions of the supplied documentation may be available on the regional Daikin website or via your dealer.

The original documentation is written in English. All other languages are translations.

#### Technical engineering data

- A **subset** of the latest technical data is available on the regional Daikin website (publicly accessible).
- The **full set** of latest technical data is available on the Daikin Business Portal (authentication required).

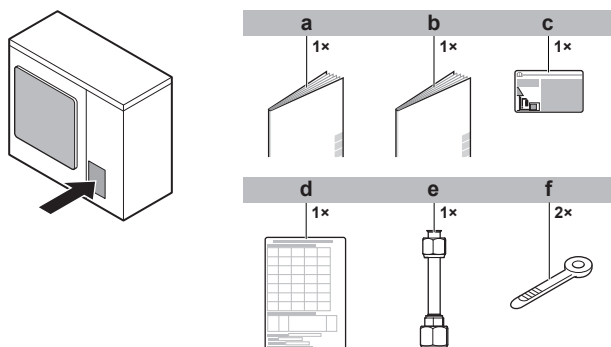
## For the installer

## 2 About the box

### 2.1 Outdoor unit

#### 2.1.1 To remove the accessories from the outdoor unit

- 1 Remove the service cover. See "5.1.1 To open the outdoor unit" [▶ 7].
- 2 Remove the accessories.



- a General safety precautions
- b Outdoor unit installation and operation manual
- c Fluorinated greenhouse gases label
- d Installation information sticker
- e Gas piping accessory (only for RXYSCQ6)
- f Cable tie

## 3 About the units and options

### 3.1 About the outdoor unit

This installation manual concerns the VRV IV-S, full inverter driven, heat pump system.

These units are intended for outdoor installation and aimed for air to air heat pump applications.

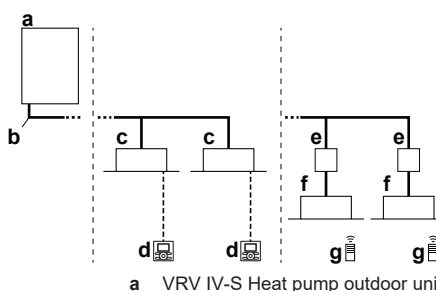
Specification		RXYSCQ4~6
Capacity	Heating	14.2~18.0 kW
	Cooling	12.1~15.5 kW
Ambient design temperature	Heating	-20~15.5°C WB
	Cooling	-5~46°C DB

### 3.2 System layout



#### NOTICE

Design of the system must not be done at temperatures below -15°C.



a VRV IV-S Heat pump outdoor unit

- b Refrigerant piping
- c VRV direct expansion (DX) indoor unit
- d User interface (dedicated depending on indoor unit type)
- e BP box (required to connect Residential Air (RA) or Sky Air (SA) direct expansion (DX) indoor units)
- f Residential Air (RA) direct expansion (DX) indoor units
- g User interface (wireless, dedicated depending on indoor unit type)

## 4 Preparation

### 4.1 Preparing the installation site

#### 4.1.1 Installation site requirements of the outdoor unit

Mind the spacing guidelines. See the "Technical data" chapter, and the figures on the inside of the front cover.



#### CAUTION

Appliance not accessible to the general public, install it in a secured area, protected from easy access.

This unit, both indoor and outdoor, is suitable for installation in a commercial and light industrial environment.

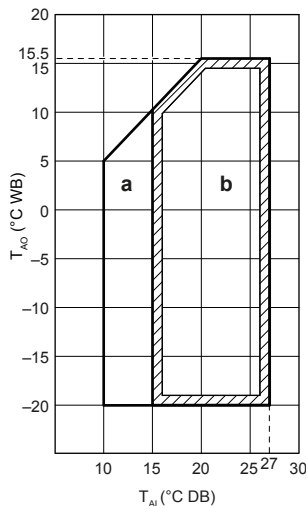
#### 4.1.2 Additional installation site requirements of the outdoor unit in cold climates



#### NOTICE

When operating the unit in heating in a low outdoor ambient temperature with high humidity conditions, make sure to take precautions to keep the drain holes of the unit free by using proper equipment.

In heating:



a Warming up operation range

b Operation range

$T_{Ai}$  Ambient indoor temperature

$T_{Ao}$  Ambient outdoor temperature

If the unit is selected to operate at ambient temperatures lower than  $-5^{\circ}\text{C}$  for 5 days or longer, with relative humidity levels exceeding 95%, we recommend to apply a Daikin range specifically designed for such application and/or to contact your dealer for further advice.

### 4.2 Preparing refrigerant piping

#### 4.2.1 Refrigerant piping requirements



#### NOTICE

The piping and other pressure-containing parts shall be suitable for refrigerant. Use phosphoric acid deoxidised seamless copper for refrigerant.

- Foreign materials inside pipes (including oils for fabrication) must be  $\leq 30$  mg/10 m.

#### 4.2.2 Refrigerant piping material

- Piping material:** Phosphoric acid deoxidised seamless copper.
- Flare connections:** Only use annealed material.
- Piping temper grade and thickness:**

Outer diameter ( $\varnothing$ )	Temper grade	Thickness (t) <sup>(a)</sup>	
6.4 mm (1/4")	Annealed (O)	$\geq 0.80$ mm	
9.5 mm (3/8")			
12.7 mm (1/2")			
15.9 mm (5/8")	Annealed (O)	$\geq 0.99$ mm	
19.1 mm (3/4")	Half hard (1/2H)	$\geq 0.80$ mm	

(a) Depending on the applicable legislation and the unit's maximum working pressure (see "PS High" on the unit name plate), larger piping thickness might be required.

#### 4.2.3 To select the piping size

Determine the proper size using the following tables and reference figure (only for indication).



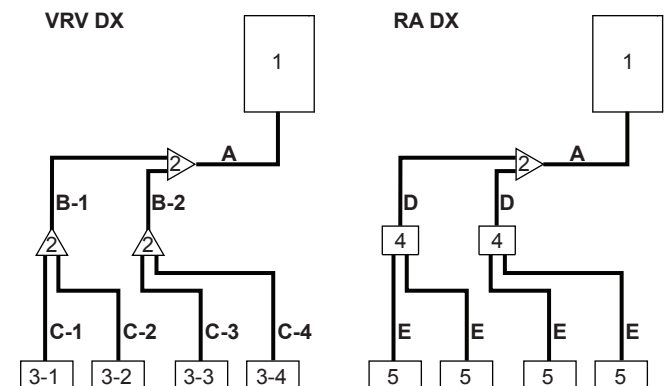
#### INFORMATION

- Combination of VRV DX and RA DX indoor units is not allowed.
- Combination of RA DX and AHU indoor units is not allowed.
- Combination of RA DX and aircurtain indoor units is not allowed.



#### INFORMATION

If you install RA DX indoor units, you have to configure field setting [2-38] (= type of installed indoor units). See "6.1.8 Mode 2: Field settings" [16].



- 1 Outdoor unit
- 2 Refrigerant branch kits
- 3-1~3-4 VRV DX indoor units
- 4 BP units
- 5 RA DX indoor units
- A Piping between outdoor unit and (first) refrigerant branch kit
- B-1 B-2 Piping between refrigerant branch kits
- C-1~C-4 Piping between refrigerant branch kit and indoor unit

## 4 Preparation

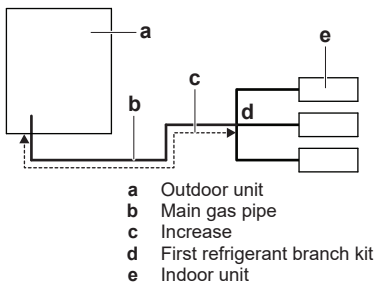
- D Piping between refrigerant branch kit and BP unit
- E Piping between BP unit and RA DX indoor unit

In case the required pipe sizes (inch sizes) are not available, it is also allowed to use other diameters (mm sizes), taken the following into account:

- Select the pipe size nearest to the required size.
- Use the suitable adapters for the change-over from inch to mm pipes (field supply).
- The additional refrigerant calculation has to be adjusted as mentioned in "5.6.2 To determine the additional refrigerant amount" [p 11].

### A: Piping between outdoor unit and (first) refrigerant branch kit

When the equivalent pipe length between outdoor and indoor units is 90 m or more, the size of the main gas pipe must be increased (size-up). If the recommended gas pipe (size-up) is not available, you must use the standard size (which might result in a small capacity decrease).



Outdoor unit capacity type (HP)	Piping outer diameter size (mm)		
	Gas pipe		Liquid pipe
	Standard	Size-up	
4+5	15.9	19.1	9.5
6	19.1	22.2	9.5

### B: Piping between refrigerant branch kits

Choose from the following table in accordance with the indoor unit total capacity type, connected downstream. Do not let the connection piping exceed the refrigerant piping size chosen by the general system model name.

Indoor unit capacity index	Piping outer diameter size (mm)	
	Gas pipe	Liquid pipe
<150	15.9	9.5
150≤x≤182	19.1	

**Example:** Downstream capacity for B-1 = capacity index of unit 3-1 + capacity index of unit 3-2

### C: Piping between refrigerant branch kit and indoor unit

Use the same diameters as the connections (liquid, gas) on the indoor units. The diameters of the indoor units are as follows:

Indoor unit capacity index	Piping outer diameter size (mm)	
	Gas pipe	Liquid pipe
15~50	12.7	6.4
63~140	15.9	9.5

### D: Piping between refrigerant branch kit and BP unit

Total capacity index of connected indoor units	Piping outer diameter size (mm)	
	Gas pipe	Liquid pipe
15~62	12.7	6.4
63~149	15.9	9.5
150~182	19.1	9.5

### E: Piping between BP unit and RA DX indoor unit

Indoor unit capacity index	Piping outer diameter size (mm)	
	Gas pipe	Liquid pipe
15~42	9.5	6.4
50		12.7
60	15.9	9.5
71		

#### 4.2.4 To select refrigerant branch kits

For piping example, refer to "4.2.3 To select the piping size" [p 5].

##### Refnet joint at first branch (counting from outdoor unit)

When using refnet joints at the first branch counted from the outdoor unit side, choose from the following table in accordance with the capacity of the outdoor unit. **Example:** Refnet joint A→B-1.

Outdoor unit capacity type (HP)	Refrigerant branch kit
4~6	KHRQ22M20TA

##### Refnet joints at other branches

For refnet joints other than the first branch, select the proper branch kit model based on the total capacity index of all indoor units connected after the refrigerant branch. **Example:** Refnet joint B-1→C-1.

Indoor unit capacity index	Refrigerant branch kit
<182	KHRQ22M20TA

##### Refnet headers

Concerning refnet headers, choose from the following table in accordance with the total capacity of all the indoor units connected below the refnet header.

Indoor unit capacity index	Refrigerant branch kit
<182	KHRQ22M29H



#### INFORMATION

Maximum 8 branches can be connected to a header.

## 4.3 Preparing electrical wiring

### 4.3.1 Safety device requirements

The power supply must be protected with the required safety devices, i.e. a main switch, a slow blow fuse on each phase and an earth leakage protector in accordance with the applicable legislation.

Selection and sizing of the wiring should be done in accordance with the applicable legislation based on the information mentioned in the table below.

Model	Minimum circuit ampacity	Recommended fuses
RXYSCQ4~6	29.1 A	32 A

For all models:

- Phase and frequency: 1~ 50 Hz

- Voltage: 220-240 V
- Transmission line section:


Transmission wiring	Vinyl cords with 0.75 to 1.25 mm <sup>2</sup> sheath or cables (2-core wires)
Maximum wiring length (= distance between outdoor and furthest indoor unit)	300 m
Total wiring length (= distance between outdoor and all indoors)	600 m


If the total transmission wiring exceeds these limits, it may result in communication error.

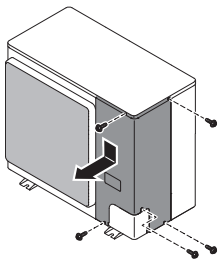
## 5 Installation

### 5.1 Opening the units

#### 5.1.1 To open the outdoor unit

 **DANGER: RISK OF ELECTROCUTION**

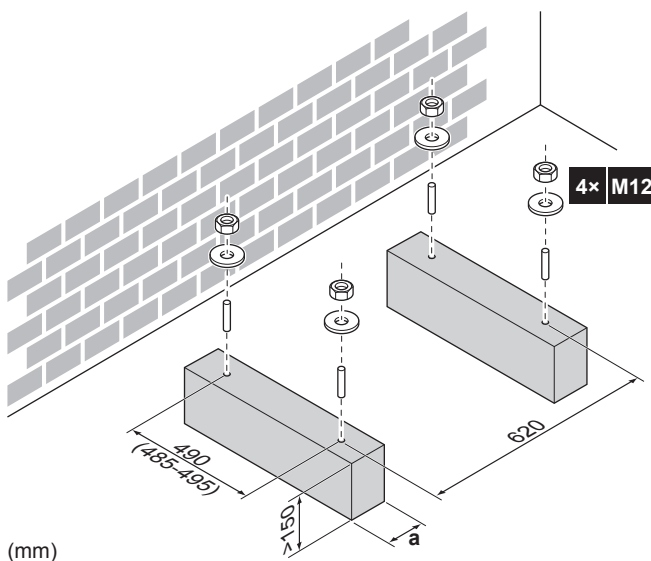
 **DANGER: RISK OF BURNING/SCALDING**



### 5.2 Mounting the outdoor unit

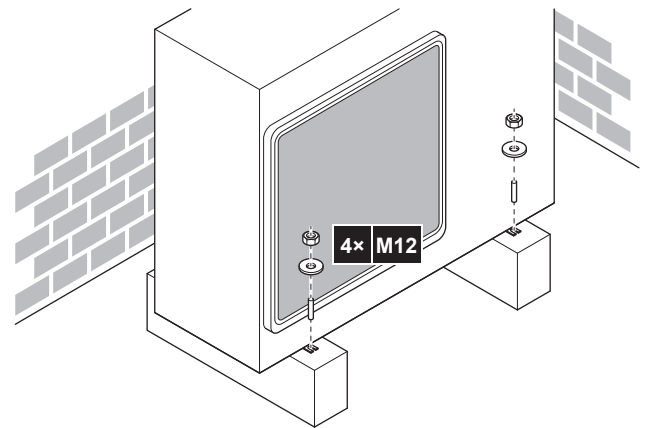
#### 5.2.1 To provide the installation structure

Prepare 4 sets of anchor bolts, nuts and washers (field supply) as follows:



a Make sure not to cover the drain holes.

#### 5.2.2 To install the outdoor unit

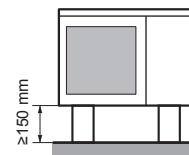


#### 5.2.3 To provide drainage

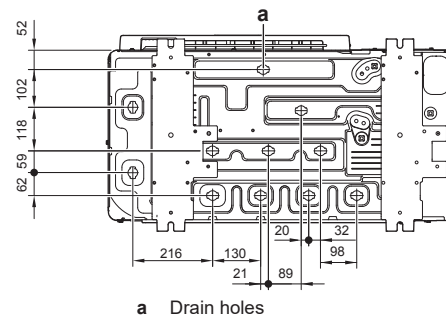


#### NOTICE

If drain holes of the outdoor unit are covered by a mounting base or by floor surface, raise the unit to provide a free space of more than 150 mm under the outdoor unit.



#### Drain holes (dimensions in mm)

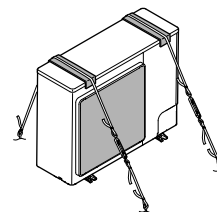


a Drain holes

#### 5.2.4 To prevent the outdoor unit from falling over

In case the unit is installed in places where strong wind can tilt the unit, take following measure:

- 1 Prepare 2 cables as indicated in the following illustration (field supply).
- 2 Place the 2 cables over the outdoor unit.
- 3 Insert a rubber sheet between the cables and the outdoor unit to prevent the cables from scratching the paint (field supply).
- 4 Attach the ends of the cables and tighten them.



## 5 Installation

### 5.3 Connecting the refrigerant piping



**DANGER: RISK OF BURNING/SCALDING**

#### 5.3.1 Using the stop valve and service port

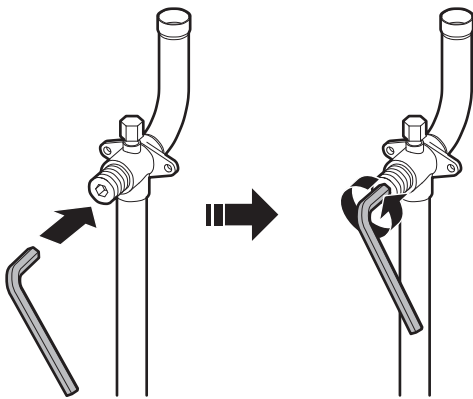
##### To handle the stop valve

Take the following guidelines into account:

- Make sure to keep all stop valves open during operation.
- The gas and liquid stop valves are factory closed.
- Do NOT apply excessive force to the stop valve. Doing so may break the valve body.

##### To open the stop valve

- 1 Remove the stop valve cover.
- 2 Insert a hexagon wrench into the stop valve and turn the stop valve counterclockwise.

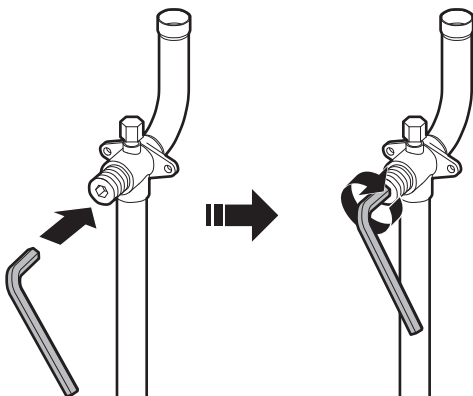


- 3 When the stop valve cannot be turned any further, stop turning.
- 4 Install the stop valve cover.

**Result:** The valve is now open.

##### To close the stop valve

- 1 Remove the stop valve cover.
- 2 Insert a hexagon wrench into the stop valve and turn the stop valve clockwise.



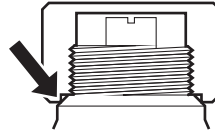
- 3 When the stop valve cannot be turned any further, stop turning.
- 4 Install the stop valve cover.

**Result:** The valve is now closed.

##### To handle the stop valve cover

- The stop valve cover is sealed where indicated by the arrow. Do NOT damage it.

- After handling the stop valve, tighten the stop valve cover securely, and check for refrigerant leaks. For the tightening torque, refer to the table below.



##### To handle the service port

- Always use a charge hose equipped with a valve depressor pin, since the service port is a Schrader type valve.
- After handling the service port, make sure to tighten the service port cover securely. For the tightening torque, refer to the table below.
- Check for refrigerant leaks after tightening the service port cover.

##### Tightening torques

Stop valve size (mm)	Tightening torque N·m (turn clockwise to close)			
	Shaft			
	Valve body	Hexagonal wrench	Cap (valve lid)	Service port
Ø9.5	5.4~6.6	4 mm	13.5~16.5	11.5~13.9
Ø15.9	13.5~16.5	6 mm	22.5~27.5	

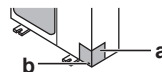
#### 5.3.2 To connect the refrigerant piping to the outdoor unit



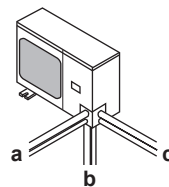
##### NOTICE

Be sure that the field installed piping does not touch other pipes, the bottom panel or side panel. Especially for the bottom and side connection, be sure to protect the piping with suitable insulation, to prevent it from coming into contact with the casing.

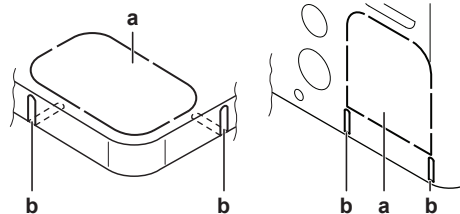
- 1 Do the following:
  - Remove the service cover. See "5.1.1 To open the outdoor unit" [p.7].
  - Remove the piping intake plate (a) with screw (b).



- 2 Choose a piping route (a, b or c).



##### INFORMATION



- Remove the knockout hole (a) in the bottom plate or cover plate by tapping on the attachment points with a flat head screwdriver and a hammer.
- Optionally, cut out the slits (b) with a metal saw.



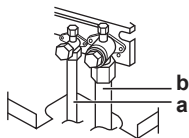
**NOTICE**

Precautions when making knockout holes:

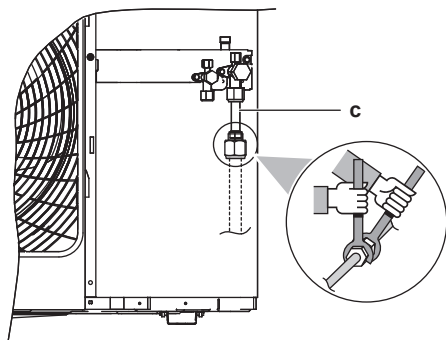
- Avoid damaging the casing and underlying piping.
- After making the knockout holes, we recommend to remove the burrs and paint the edges and areas around the edges using repair paint to prevent rusting.
- When passing electrical wiring through the knockout holes, wrap the wiring with protective tape to prevent damage.

**3 Do the following:**

- Connect the liquid pipe (a) to the liquid stop valve.
- Connect the gas pipe (b) to the gas stop valve.

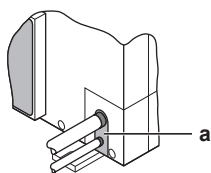


- In case of RXYSCQ6: Connect the gas piping accessory (c). This is necessary because the size of the gas stop valve is  $\varnothing 15.9$  while the piping between outdoor unit and first refrigerant branch kit is  $\varnothing 19.1$ . The connection of this gas piping accessory with the  $\varnothing 19.1$  field piping is made with a flare connection.



c Gas piping accessory (only for RXYSCQ6)

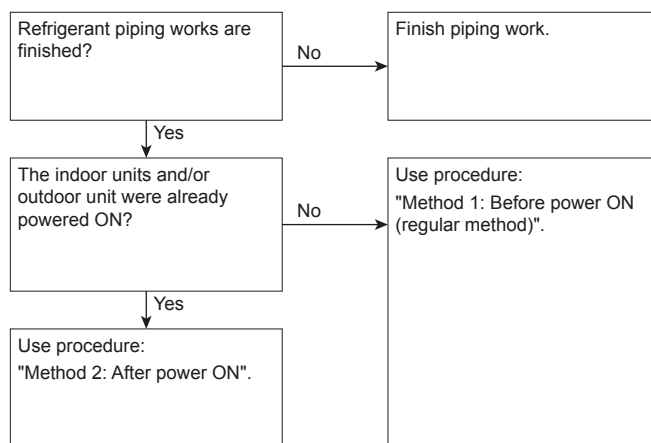
- 4 Reattach the service cover and the piping intake plate.
- 5 Seal all gaps (example: a) to prevent snow and small animals from entering the system.

**WARNING**

Provide adequate measures to prevent that the unit can be used as a shelter by small animals. Small animals that make contact with electrical parts can cause malfunctions, smoke or fire.

**NOTICE**

Make sure to open the stop valves after installing the refrigerant piping and performing vacuum drying. Running the system with the stop valves closed may break the compressor.

**5.4 Checking the refrigerant piping****5.4.1 About checking the refrigerant piping**

It is very important that all refrigerant piping work is done before the units (outdoor or indoor) are powered on.

When the units are powered on, the expansion valves will initialise. This means that they will close. Leak test and vacuum drying of field piping and indoor units is impossible when this happens.

Therefore, there will be explained 2 methods for initial installation, leak test and vacuum drying.

**Method 1: Before power ON**

If the system has not yet been powered on, no special action is required to perform the leak test and the vacuum drying.

**Method 2: After power ON**

If the system has already been powered on, activate setting [2-21] (refer to "6.1.4 To access mode 1 or 2" [p 15]). This setting will open field expansion valves to guarantee a R410A piping pathway and make it possible to perform the leak test and the vacuum drying.

**NOTICE**

Make sure that all indoor units connected to the outdoor unit are powered on.

**NOTICE**

Wait to apply setting [2-21] until the outdoor unit has finished the initialisation.

**Leak test and vacuum drying**

Checking the refrigerant piping involves:

- Checking for any leakages in the refrigerant piping.
- Performing vacuum drying to remove all moisture, air or nitrogen in the refrigerant piping.

If there is a possibility of moisture being present in the refrigerant piping (for example, water may have entered the piping), first carry out the vacuum drying procedure below until all moisture has been removed.

All piping inside the unit has been factory tested for leaks.

Only field installed refrigerant piping needs to be checked. Therefore, make sure that all the outdoor unit stop valves are firmly closed before performing leak test or vacuum drying.

**NOTICE**

Make sure that all (field supplied) field piping valves are OPEN (not outdoor unit stop valves!) before you start leak test and vacuuming.

For more information on the state of the valves, refer to "5.4.3 Checking refrigerant piping: Setup" [p 10].

## 5 Installation

### 5.4.2 Checking refrigerant piping: General guidelines

Connect the vacuum pump through a manifold to the service port of all stop valves to increase efficiency (refer to "5.4.3 Checking refrigerant piping: Setup" ▶ 10)).

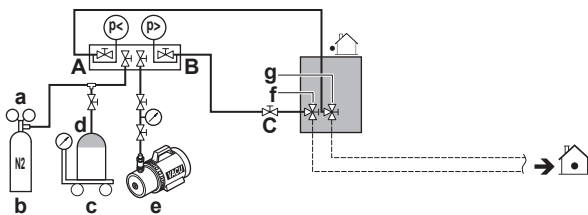
#### NOTICE

Make sure the pump oil does not flow oppositely into the system while the pump is not working.

#### NOTICE

Do not purge the air with refrigerants. Use a vacuum pump to evacuate the installation.

### 5.4.3 Checking refrigerant piping: Setup



- a Pressure reducing valve
- b Nitrogen
- c Weighing scales
- d Refrigerant R410A tank (siphon system)
- e Vacuum pump
- f Liquid line stop valve
- g Gas line stop valve
- A Valve A
- B Valve B
- C Valve C

Valve	State of valve
Valve A	Open
Valve B	Open
Valve C	Open
Liquid line stop valve	Close
Gas line stop valve	Close

#### NOTICE

The connections to the indoor units and all indoor units should also be leak and vacuum tested. Keep any possible (field supplied) field piping valves open as well.

Refer to the indoor unit installation manual for more details. Leak test and vacuum drying should be done before the power supply is set to the unit. If not, see also the flow chart earlier described in this chapter (see "5.4.1 About checking the refrigerant piping" ▶ 9)).

### 5.4.4 To perform a leak test

The leak test must satisfy the specifications of EN378-2.

#### To check for leaks: Vacuum leak test

- Once reached, turn off the vacuum pump and check that the pressure does not rise for at least 1 minute.
- Should the pressure rise, the system may either contain moisture (see vacuum drying below) or have leaks.

#### To check for leaks: Pressure leak test

- Test for leaks by applying a bubble test solution to all piping connections.
- Discharge all nitrogen gas.

- Break the vacuum by pressurising with nitrogen gas to a minimum gauge pressure of 0.2 MPa (2 bar). Never set the gauge pressure higher than the maximum operation pressure of the unit, i.e. 4.0 MPa (40 bar).

#### NOTICE

ALWAYS use a recommended bubble test solution from your wholesaler.

NEVER use soap water:

- Soap water may cause cracking of components, such as flare nuts or stop valve caps.
- Soap water may contain salt, which absorbs moisture that will freeze when the piping gets cold.
- Soap water contains ammonia which may lead to corrosion of flared joints (between the brass flare nut and the copper flare).

### 5.4.5 To perform vacuum drying

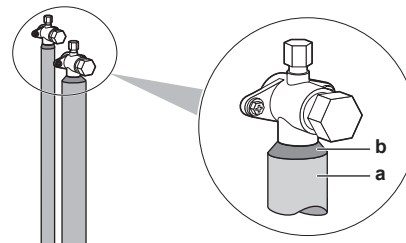
To remove all moisture from the system, proceed as follows:

- Check that, with the vacuum pump turned off, the target vacuum is maintained for at least 1 hour.
- Depending on whether you want to immediately charge refrigerant through the refrigerant charge port or first pre-charge a portion of refrigerant through the liquid line, either open the outdoor unit stop valves, or keep them closed. See "5.6.3 To charge refrigerant" ▶ 11] for more information.

## 5.5 To insulate the refrigerant piping

After finishing the leak test and vacuum drying, the piping must be insulated. Take into account the following points:

- Make sure to insulate the connection piping and refrigerant branch kits entirely.
- Be sure to insulate the liquid and gas piping (for all units).
- Use heat resistant polyethylene foam which can withstand a temperature of 70°C for liquid piping and polyethylene foam which can withstand a temperature of 120°C for gas piping.
- Reinforce the insulation on the refrigerant piping according to the installation environment.
- If there is a possibility that condensation on the stop valve might drip down into the indoor unit through gaps in the insulation and piping because the outdoor unit is located higher than the indoor unit, this must be prevented by sealing up the connections. See below figure.



- a Insulation material
- b Caulking etc.

## 5.6 Charging refrigerant

### 5.6.1 Precautions when charging refrigerant

**WARNING**

- Only use R410A as refrigerant. Other substances may cause explosions and accidents.
- R410A contains fluorinated greenhouse gases. Its global warming potential (GWP) value is 2087.5. Do NOT vent these gases into the atmosphere.
- When charging refrigerant, always use protective gloves and safety glasses.

**NOTICE**

If the power of some units is turned off, the charging procedure cannot be finished properly.

**NOTICE**

Be sure to turn on the power 6 hours before operation in order to have power running to the crankcase heater and to protect the compressor.

**NOTICE**

If operation is performed within 12 minutes after the indoor and outdoor units are turned on, the compressor will not operate before the communication is established in a correct way between outdoor unit(s) and indoor units.

**NOTICE**

Before starting charging procedures, check if the 7-LEDs display is as normal (see "6.1.4 To access mode 1 or 2" [p 15]), and there is no malfunction code on the user interface of the indoor unit. If a malfunction code is present, see "8.1 Solving problems based on error codes" [p 20].

**NOTICE**

Make sure all connected indoor units are recognised (setting [1-5]).

**NOTICE**

Close the front panel before any refrigerant charge operation is executed. Without the front panel attached the unit cannot judge correctly whether it is operating properly or not.

**NOTICE**

In case of maintenance and the system (outdoor unit+field piping+indoor units) does not contain any refrigerant any more (e.g., after refrigerant reclaim operation), the unit has to be charged with its original amount of refrigerant (refer to the nameplate on the unit) and the determined additional refrigerant amount.

### 5.6.2 To determine the additional refrigerant amount

**INFORMATION**

For final charge adjustment in a test laboratory, contact your dealer.

**Formula:**

$$R = [(X_1 \times \text{Ø}9.5) \times 0.059 + (X_2 \times \text{Ø}6.4) \times 0.022]$$

- R** Additional refrigerant to be charged [in kg and rounded off to 1 decimal place]
- X<sub>1,2</sub>** Total length [m] of liquid piping size at Øa

**Metric piping.** When using metric piping, replace the weight factors in the formula by the ones from the following table:

Inch piping		Metric piping	
Piping	Weight factor	Piping	Weight factor
Ø6.4 mm	0.022	Ø6 mm	0.018
Ø9.5 mm	0.059	Ø10 mm	0.065

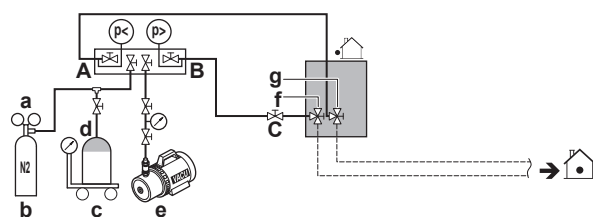
### 5.6.3 To charge refrigerant

To speed up the refrigerant charging process, it is in case of larger systems recommended to first pre-charge a portion of refrigerant through the liquid line before proceeding with the manual charging. It can be skipped, but charging will take longer then.

#### Pre-charging refrigerant

Pre-charging can be done without compressor operation, by connecting the refrigerant bottle to the service port of the liquid stop valve.

- 1 Connect as shown. Make sure that all outdoor unit stop valves, as well as valve A are closed.



- a Pressure reducing valve
- b Nitrogen
- c Weighing scales
- d Refrigerant R410A tank (siphon system)
- e Vacuum pump
- f Liquid line stop valve
- g Gas line stop valve
- A Valve A
- B Valve B
- C Valve C

- 2 Open valves C and B.
- 3 Pre-charge refrigerant until the determined additional refrigerant amount is reached or pre-charging is not possible anymore, and then close valves C and B.
- 4 Do one of the following:

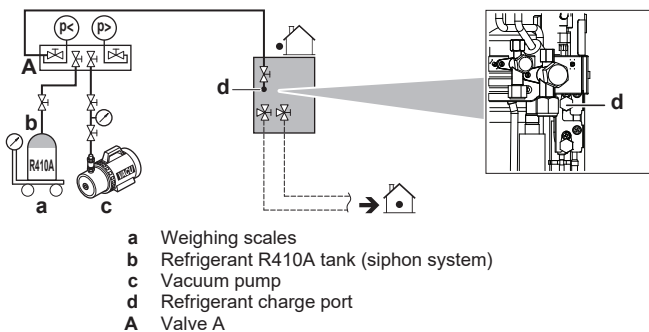
If	Then
The determined additional refrigerant amount is <b>reached</b>	Disconnect the manifold from the liquid line. You do not have to perform the "Charging refrigerant (in manual additional refrigerant charge mode)" instructions.
<b>Too much</b> refrigerant is charged	Recover refrigerant. Disconnect the manifold from the liquid line. You do not have to perform the "Charging refrigerant (in manual additional refrigerant charge mode)" instructions.
The determined additional refrigerant amount is <b>not reached</b> yet	Disconnect the manifold from the liquid line. Continue with the "Charging refrigerant (in manual additional refrigerant charge mode)" instructions.

## 5 Installation

### Charging refrigerant (in manual additional refrigerant charge mode)

The remaining additional refrigerant charge can be charged by operating the outdoor unit by means of the manual additional refrigerant charge mode.

- 5 Connect as shown. Make sure valve A is closed.



#### NOTICE

The refrigerant charging port is connected to the piping inside the unit. The unit's internal piping is already factory charged with refrigerant, so be careful when connecting the charge hose.

- 6 Open all outdoor unit stop valves. At this point, valve A must remain closed!
- 7 Take all the precautions mentioned in "6 Configuration" [▶ 14] and "7 Commissioning" [▶ 19] into account.
- 8 Turn on the power of the indoor units and outdoor unit.
- 9 Activate setting [2-20] to start the manual additional refrigerant charge mode. For details, see "6.1.8 Mode 2: Field settings" [▶ 16].

**Result:** The unit will start operation.



#### INFORMATION

The manual refrigerant charge operation will automatically stop within 30 minutes. If charging is not completed after 30 minutes, perform the additional refrigerant charging operation again.



#### INFORMATION

- When a malfunction is detected during the procedure (e.g., in case of closed stop valve), a malfunction code will be displayed. In that case, refer to "5.6.4 Error codes when charging refrigerant" [▶ 12] and solve the malfunction accordingly. Resetting the malfunction can be done by pushing BS3. You can restart the "Charging" instructions.
- Aborting the manual refrigerant charge is possible by pushing BS3. The unit will stop and return to idle condition.

- 10 Open valve A.
- 11 Charge refrigerant until the remaining determined additional refrigerant amount is added, and then close valve A.
- 12 Press BS3 to stop the manual additional refrigerant charge mode.



#### NOTICE

Make sure to open all stop valves after (pre-) charging the refrigerant.

Operating with the stop valves closed will damage the compressor.



#### NOTICE

After adding the refrigerant, do not forget to close the lid of the refrigerant charging port. The tightening torque for the lid is 11.5 to 13.9 N•m.

### 5.6.4 Error codes when charging refrigerant



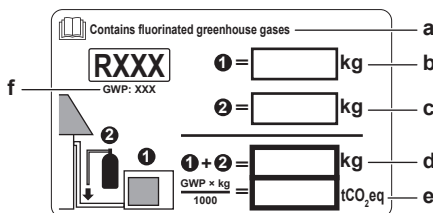
#### INFORMATION

If a malfunction occurs, the error code is displayed on the user interface of the indoor unit.

If a malfunction occurs, close valve A immediately. Confirm the malfunction code and take corresponding action, "8.1 Solving problems based on error codes" [▶ 20].

### 5.6.5 To fix the fluorinated greenhouse gases label

- 1 Fill in the label as follows:



- a If a multilingual fluorinated greenhouse gases label is delivered with the unit (see accessories), peel off the applicable language and stick it on top of a.
- b Factory refrigerant charge: see unit name plate
- c Additional refrigerant amount charged
- d Total refrigerant charge
- e **Quantity of fluorinated greenhouse gases** of the total refrigerant charge expressed as tonnes CO<sub>2</sub> equivalent.
- f GWP = Global warming potential



#### NOTICE

Applicable legislation on **fluorinated greenhouse gases** requires that the refrigerant charge of the unit is indicated both in weight and CO<sub>2</sub> equivalent.

**Formula to calculate the quantity in CO<sub>2</sub> equivalent tonnes:** GWP value of the refrigerant × total refrigerant charge [in kg] / 1000

Use the GWP value mentioned on the refrigerant charge label. That GWP is based on the current legislation on fluorinated greenhouse gases. The GWP mentioned in the manual might be outdated.

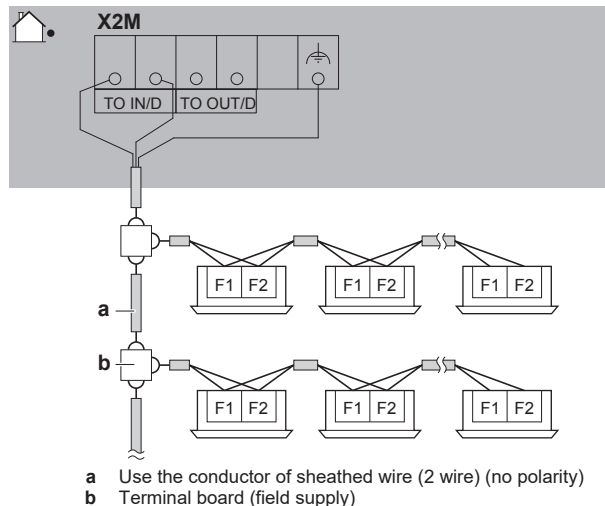
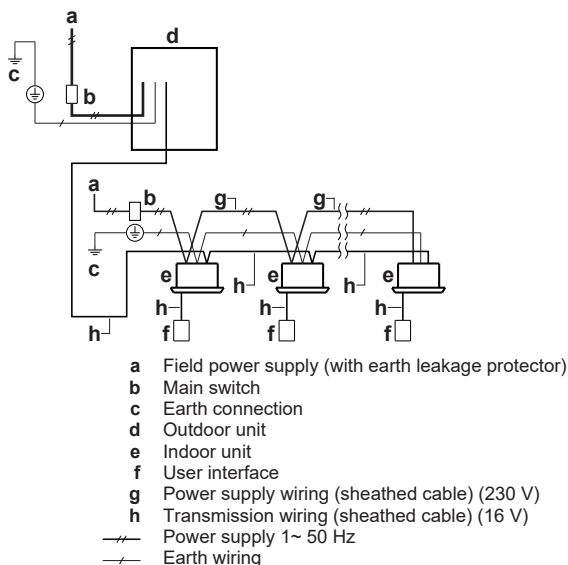
- 2 Fix the label on the inside of the outdoor unit. There is a dedicated place for it on the wiring diagram label.

## 5.7 Connecting the electrical wiring

### 5.7.1 Field wiring: Overview

Field wiring consists of power supply (always including earth) and indoor-outdoor communication (= transmission) wiring.

**Example:**



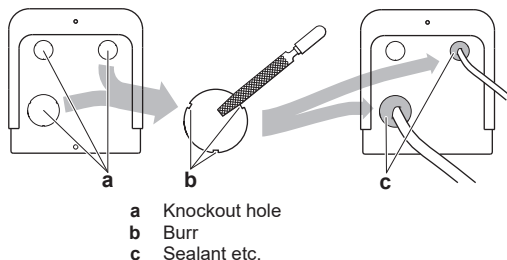
### 5.7.2 Guidelines when knocking out knockout holes



#### NOTICE

Precautions when making knockout holes:

- Avoid damaging the casing.
- After making the knockout holes, we recommend you remove the burrs and paint the edges and areas around the edges using repair paint to prevent rusting.
- When passing electrical wiring through the knockout holes, wrap the wiring with protective tape to prevent damage.



### 5.7.3 Guidelines when connecting the electrical wiring

#### Tightening torques

Wiring	Screw size	Tightening torque (N•m)
Power supply wiring (power supply + shielded ground)	M5	2.0~3.0
Transmission wiring	M3.5	0.8~0.97

### 5.7.4 To connect the electrical wiring on the outdoor unit



#### NOTICE

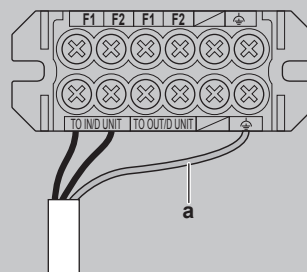
- Follow the wiring diagram (delivered with the unit, located at the inside of the service cover).
- Make sure the electrical wiring does NOT obstruct proper reattachment of the service cover.

- 1 Remove the service cover.
- 2 Connect the transmission wiring as follows:

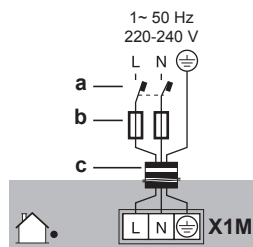


#### WARNING

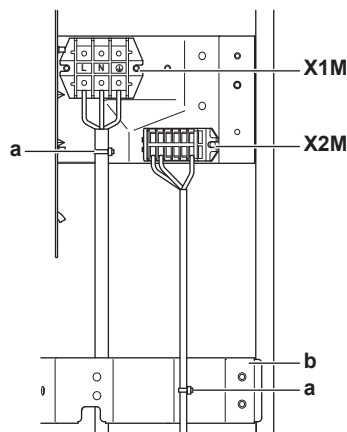
You must use shielded wire and connect the earth to the transmission terminal (X2M).



- 3 Connect the power supply as follows:

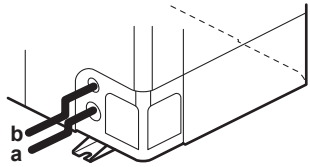
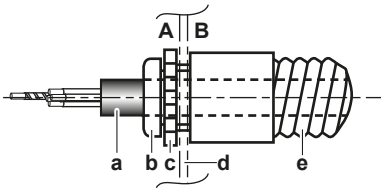


- 4 Fix the cables (power supply and transmission wiring) with cable ties.



- 5 Route the wiring through the frame and connect it to it.

## 6 Configuration

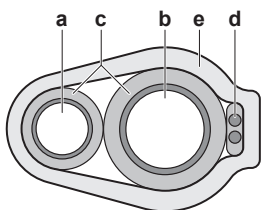
Routing through the frame	 <p>a Power supply cable b Transmission wiring cable</p>
Connecting to the frame	<p>When cables are routed from the unit, a protection sleeve for the conduits (PG insertions) can be inserted at the knockout hole.</p> <p>When you do not use a wire conduit, protect the wires with vinyl tubes to prevent the edge of the knockout hole from cutting the wires.</p>  <p>A Inside of the outdoor unit B Outside of the outdoor unit a Wire b Bush c Nut d Frame e Hose</p>

- 6 Reattach the service cover.
- 7 Connect an earth leakage circuit breaker and fuse to the power supply line.

## 5.8 Finishing the outdoor unit installation

### 5.8.1 To finish the transmission wiring

After installing the transmission wires inside the unit, wrap them along with the on-site refrigerant pipes using finishing tape, as shown in figure below.



- a Liquid pipe
- b Gas pipe
- c Insulator
- d Transmission wiring (F1/F2)
- e Finishing tape

## 6 Configuration



### INFORMATION

It is important that all information in this chapter is read sequentially by the installer and that the system is configured as applicable.



**DANGER: RISK OF ELECTROCUTION**

## 6.1 Making field settings

### 6.1.1 About making field settings

To configure the heat pump system, you must give input to the outdoor unit's main PCB (A1P). This involves the following field setting components:

- Push buttons to give input to the PCB
- A display to read feedback from the PCB

Field settings are defined by their mode, setting and value. Example: [2-8]=4.

#### PC configurator

For VRV IV-S heat pump system it is alternatively possible to make several commissioning field settings through a personal computer interface (for this, option EKPCAB\* is required). The installer can prepare the configuration (off-site) on PC and afterwards upload the configuration to the system.

See also: "6.1.9 To connect the PC configurator to the outdoor unit" [▶ 19].

#### Mode 1 and 2

Mode	Description
Mode 1 (monitoring settings)	Mode 1 can be used to monitor the current situation of the outdoor unit. Some field setting contents can be monitored as well.
Mode 2 (field settings)	Mode 2 is used to change the field settings of the system. Consulting the current field setting value and changing the current field setting value is possible.  In general, normal operation can be resumed without special intervention after changing field settings.  Some field settings are used for special operation (e.g., 1 time operation, recovery/vacuuming setting, manual adding refrigerant setting, etc.). In such a case, it is required to abort the special operation before normal operation can restart. It will be indicated in below explanations.

### 6.1.2 To access the field setting components

See "5.1.1 To open the outdoor unit" [▶ 7].

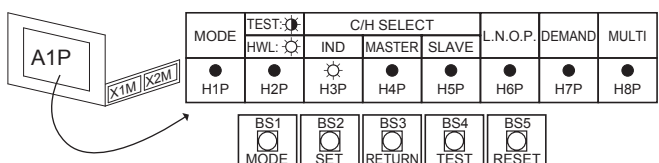
### 6.1.3 Field setting components



#### NOTICE

The DIP switch (DS1 on A1P) is not used. Do NOT change the factory setting.

The components to make field settings are as follows:



- BS1~BS5 Push buttons
- H1P~H7P 7-LEDs display
- H8P LED for indication during initialisation  
ON (☼) OFF (●) Flashing (⚡)

## Push buttons

Use the push buttons to make the field settings. Operate the push buttons with an insulated stick (such as a closed ball-point pen) to avoid touching of live parts.



- BS1** MODE: For changing the set mode
- BS2** SET: For field setting
- BS3** RETURN: For field setting
- BS4** TEST: For test operation
- BS5** RESET: For resetting the address when the wiring is changed or when an additional indoor unit is installed

## 7-LEDs display

The display gives feedback about the field settings, which are defined as [Mode-Setting]=Value.

- H1P** Shows the mode
- H2P~H7P** Shows the settings and values, represented in binary code
- H8P** NOT used for field settings, but used during initialisation

### Example:

[H1P- 32 + 16 + 8 + 4 + 2 + 1] H1P H2P H3P H4P H5P H6P H7P	Description
 (H1P OFF)	Default situation
 (H1P flashing)	Mode 1
 (H1P ON)	Mode 2
 0 + 0 + 8 + 0 + 0 + 0	Setting 8 (in mode 2)
 0 + 0 + 0 + 4 + 0 + 0	Value 4 (in mode 2)

### 6.1.4 To access mode 1 or 2

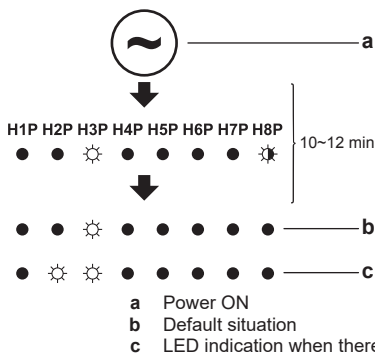
After the units are turned ON, the display goes to its default situation. From there, you can access mode 1 and mode 2.

#### Initialisation: default situation

#### NOTICE

Be sure to turn on the power 6 hours before operation in order to have power running to the crankcase heater and to protect the compressor.

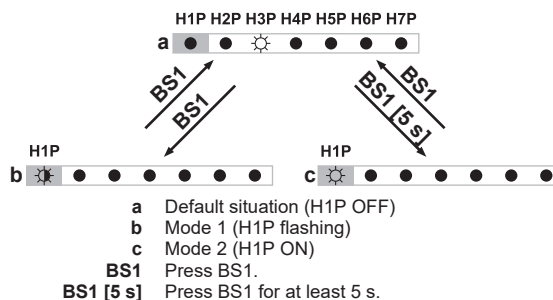
Turn on the power supply of the outdoor unit and all indoor units. When the communication between indoor units and outdoor unit is established and normal, the display indication state will be as below (default situation when shipped from factory).



If the default situation is not displayed after 10~12 minutes, check the malfunction code on the indoor unit user interface. Solve the malfunction code accordingly. First, check the communication wiring.

## Switching between modes

Use BS1 to switch between the default situation, mode 1 and mode 2.



#### INFORMATION

If you get confused in the middle of the process, press BS1 to return to the default situation.

### 6.1.5 To use mode 1

In mode 1 (and in default situation) you can read out some information.

#### Example: 7-LEDs display – Default situation

You can read out the status of low noise operation as follows:

#	Action	Button/display
1	Make sure the LEDs are showing the default situation.	 (H1P OFF)
2	Check the status of LED H6P.	 H6P OFF: Unit is currently not operating under low noise restrictions.  H6P ON: Unit is currently operating under low noise restrictions.

#### Example: 7-LEDs display – Mode 1

You can read out setting [1-5] (= the total number of connected indoor units) as follows:

#	Action	Button/display
1	Start from the default situation.	
2	Select mode 1.	 BS1 [1×]
3	Select setting 5. ("X×" depends on the setting that you want to select.)	 BS2 [X×] (= binary 5)
4	Display the value of setting 5. (there are 8 indoor units connected)	 BS3 [1×] (= binary 8)
5	Quit mode 1.	 BS1 [1×]

### 6.1.6 To use mode 2

In mode 2 you can make field settings to configure the system.

#### Example: 7-LEDs display – Mode 2

You can change the value of setting [2-8] (= T<sub>e</sub> target temperature during cooling operation) to 4 (= 8°C) as follows:

## 6 Configuration

#	Action	Button/display
1	Start from the default situation.	H1P H2P H3P H4P H5P H6P H7P ● ● ● ● ● ● ●
2	Select mode 2.	↓ BS1 [5 s] ● ● ● ● ● ● ●
3	Select setting 8. ("X" depends on the setting that you want to select.)	↓ BS2 [X×] ● ● ● ● ● ● ● ● (= binary 8)
4	Select value 4 (= 8°C). a: Display the current value. b: Change to 4. ("X" depends on the current value, and the value that you want to select.) c: Enter the value in the system. d: Confirm. The system starts operating according to the setting.	a ↓ BS3 [1×] ● ● ● ● ● ● ● ● b ↓ BS2 [X×] ● ● ● ● ● ● ● ● c ↓ BS3 [1×] ● ● ● ● ● ● ● ● d ↓ BS3 [1×] ● ● ● ● ● ● ● ●
5	Quit mode 2.	↓ BS1 [1×] ● ● ● ● ● ● ● ●

### 6.1.7 Mode 1 (and default situation): Monitoring settings

In mode 1 (and in default situation) you can read out some information.

#### 7-LEDs display – Default situation (H1P OFF)

You can read out the following information:

	Value / Description
H6P	Shows the status of low noise operation.
OFF	● ● ● ● ● ● ● ● Unit is currently not operating under low noise restrictions.
ON	● ● ● ● ● ● ● ● Unit is currently operating under low noise restrictions.
	Low noise operation reduces the sound generated by the unit compared to nominal operating conditions. Low noise operation can be set in mode 2. There are two methods to activate low noise operation of the outdoor unit system. <ul style="list-style-type: none"> <li>The first method is to enable an automatic low noise operation during night time by field setting. The unit will operate at the selected low noise level during the selected time frames.</li> <li>The second method is to enable low noise operation based on an external input. For this operation an optional accessory is required.</li> </ul>

### 6.1.8 Mode 2: Field settings

In mode 2 you can make field settings to configure the system. The LEDs give a binary representation of the setting/value number.

	Value / Description
H7P	Shows the status of power consumption limitation operation.
OFF	● ● ● ● ● ● ● ● Unit is currently not operating under power consumption limitations.
ON	● ● ● ● ● ● ● ● Unit is currently operating under power consumption limitation.
	Power consumption limitation reduces the power consumption of the unit compared to nominal operating conditions. Power consumption limitation can be set in mode 2. There are two methods to activate power consumption limitation of the outdoor unit system. <ul style="list-style-type: none"> <li>The first method is to enable a forced power consumption limitation by field setting. The unit will always operate at the selected power consumption limitation.</li> <li>The second method is to enable power consumption limitation based on an external input. For this operation an optional accessory is required.</li> </ul>

#### 7-LEDs display – Mode 1 (H1P flashing)

You can read out the following information:

Setting (H1P H2P H3P H4P H5P H6P H7P)	Value / Description
[1-5] ● ● ● ● ● ● ● ●	It can be convenient to check if the total number of indoor units which are installed match the total number of indoor units which are recognised by the system. In case there is a mismatch, it is advised to check the communication wiring path between outdoor and indoor units (F1/F2 communication line).
[1-14] ● ● ● ● ● ● ● ●	When the latest malfunction codes were reset by accident on an indoor unit user interface, they can be checked again through this monitoring settings.
[1-15] ● ● ● ● ● ● ● ●	For the content or reason behind the malfunction code see "8.1 Solving problems based on error codes" [p. 20], where most relevant malfunction codes are explained. Detailed information about malfunction codes can be consulted in the service manual of this unit.
[1-16] ● ● ● ● ● ● ● ●	To obtain more detailed information about the malfunction code, press BS2 up to 3 times.

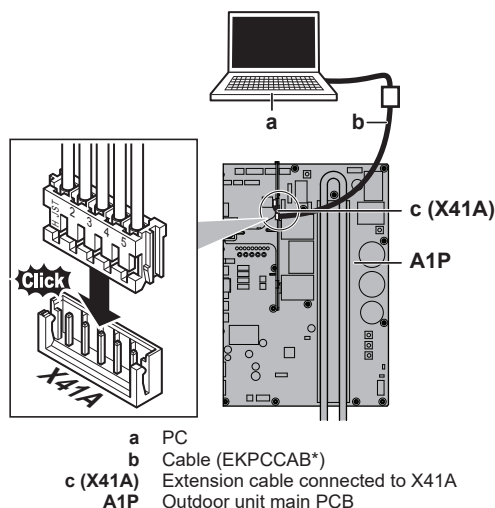


Setting H1P H2P H3P H4P H5P H6P H7P (= binary)	Value		
	H1P H2P H3P H4P H5P H6P H7P	Description	
[2-8] ☀ ● ● ☀ ● ● ● T <sub>e</sub> target temperature during cooling operation.	☀ ● ● ● ● ● ●	6°C	
	☀ ● ● ● ● ● ●	Auto	
	(default)		
	☀ ● ● ● ● ● ●	8°C	
	☀ ● ● ● ● ● ●	9°C	
	☀ ● ● ● ● ● ●	10°C	
[2-9] ☀ ● ● ☀ ● ● ● T <sub>e</sub> target temperature during heating operation.	☀ ● ● ● ● ● ●	Auto	
	(default)		
	☀ ● ● ● ● ● ●	46°C	
[2-12] ☀ ● ● ☀ ● ● ● Enable the low noise function and/or power consumption limitation via external control adaptor (DTA104A61/62). If the system needs to be running under low noise operation or under power consumption limitation conditions when an external signal is sent to the unit, this setting should be changed. This setting will only be effective when the optional external control adaptor (DTA104A61/62) is installed in the indoor unit.	☀ ● ● ● ● ● ●	Deactivated.	
	(default)		
[2-18] ☀ ● ☀ ● ● ● ● Fan high static pressure setting. In order to increase the static pressure the outdoor unit fan is delivering, this setting should be activated. For details about this setting, see technical specifications.	☀ ● ● ● ● ● ●	Deactivated.	
	(default)		
[2-20] ☀ ● ☀ ● ● ● ● Manual additional refrigerant charge. In order to add the additional refrigerant charge amount in a manual way (without automatic refrigerant charging functionality), following setting should be applied.	☀ ● ● ● ● ● ●	Deactivated.	
	(default)		
[2-21] ☀ ● ☀ ● ● ● ● Refrigerant recovery/vacuumping mode. In order to achieve a free pathway to reclaim refrigerant out of the system or to remove residual substances or to vacuum the system it is necessary to apply a setting which will open required valves in the refrigerant circuit so the reclaim of refrigerant or vacuumping process can be done properly.	☀ ● ● ● ● ● ●	Deactivated.	
	(default)		
[2-22] ☀ ● ☀ ● ● ● ● Automatic low noise setting and level during night time. By changing this setting, you activate the automatic low noise operation function of the unit and define the level of operation. Depending on the chosen level, the noise level will be lowered. The start and stop moments for this function are defined under setting [2-26] and [2-27].	☀ ● ● ● ● ● ●	Deactivated	
	☀ ● ● ● ● ● ●	Level 1	Level 3<Level 2<Level 1
	☀ ● ● ● ● ● ●	Level 2	
	☀ ● ● ● ● ● ●	Level 3	
[2-25] ☀ ● ☀ ● ● ● ● Low noise operation level via the external control adaptor. If the system needs to be running under low noise operation conditions when an external signal is sent to the unit, this setting defines the level of low noise that will be applied. This setting will only be effective when the optional external control adaptor (DTA104A61/62) is installed and the setting [2-12] was activated.	☀ ● ● ● ● ● ●	Level 1	Level 3<Level 2<Level 1
	☀ ● ● ● ● ● ●	Level 2	
	(default)	Level 3	

## 6 Configuration

Setting H1P H2P H3P H4P H5P H6P H7P (= binary)	Value						
	H1P H2P H3P H4P H5P H6P H7P	Description					
[2-26] <p>Low noise operation start time. This setting is used in conjunction with setting [2-22].</p>		20h00					
	(default)	22h00					
		24h00					
[2-27] <p>Low noise operation stop time. This setting is used in conjunction with setting [2-22].</p>		6h00					
	(default)	7h00					
		8h00					
[2-30] <p>Power consumption limitation level (step 1) via the external control adaptor (DTA104A61/62). If the system needs to be running under power consumption limitation conditions when an external signal is sent to the unit, this setting defines the level power consumption limitation that will be applied for step 1. The level is according to the table.</p>		60%					
	(default)	70%					
		80%					
[2-31] <p>Power consumption limitation level (step 2) via the external control adaptor (DTA104A61/62). If the system needs to be running under power consumption limitation conditions when an external signal is sent to the unit, this setting defines the level power consumption limitation that will be applied for step 2. The level is according to the table.</p>		30%					
	(default)	40%					
		50%					
[2-32] <p>Forced, all time, power consumption limitation operation (no external control adaptor is required to perform power consumption limitation). If the system always needs to be running under power consumption limitation conditions, this setting activates and defines the level power consumption limitation that will be applied continuously. The level is according to the table.</p>	(default)	Function not active.					
		Follows [2-30] setting.					
		Follows [2-31] setting.					
[2-38] <p>Type of indoor units After changing this setting, you have to power OFF the system, wait for 20 s, and then power ON again. If not, the setting will not be processed and malfunction codes might occur.</p>	(default)	VRV DX indoor units installed					
		RA DX indoor units installed					
[2-41] <p>Cooling comfort setting. This setting is used in conjunction with setting [2-8].</p>		Eco					
	(default)	Mild					
		Quick					
		Powerful					
[2-42] <p>Heating comfort setting. This setting is used in conjunction with setting [2-9].</p>		Eco					
	(default)	Mild					
		Quick					
		Powerful					

### 6.1.9 To connect the PC configurator to the outdoor unit



## 7 Commissioning

After installation and once the field settings are defined, the installer is obliged to verify correct operation. Therefore a test run **MUST** be performed according to the procedures described below.

### 7.1 Precautions when commissioning



#### CAUTION

**Do NOT perform the test operation while working on the indoor units.**

When performing the test operation, **NOT** only the outdoor unit, but the connected indoor unit will operate as well. Working on an indoor unit while performing a test operation is dangerous.



#### NOTICE

Be sure to turn on the power 6 hours before operation in order to have power running to the crankcase heater and to protect the compressor.

During test operation, the outdoor unit and the indoor units will start up. Make sure that the preparations of all indoor units are finished (field piping, electrical wiring, air purge, ...). See installation manual of the indoor units for details.

### 7.2 Checklist before commissioning

After the installation of the unit, first check the following items. Once all below checks are fulfilled, the unit **MUST** be closed, **ONLY** then can the unit be powered up.

<input type="checkbox"/>	You read the complete installation and operation instructions, as described in the <b>installer and user reference guide</b> .
<input type="checkbox"/>	<b>Installation</b> Check that the unit is properly installed, to avoid abnormal noises and vibrations when starting up the unit.
<input type="checkbox"/>	<b>Field wiring</b> Be sure that the field wiring has been carried out according to the instructions described in the chapter " <a href="#">5.7 Connecting the electrical wiring</a> " [p 12], according to the wiring diagrams and according to the applicable legislation.

<input type="checkbox"/>	<b>Power supply voltage</b> Check the power supply voltage on the local supply panel. The voltage <b>MUST</b> correspond to the voltage on the identification label of the unit.
<input type="checkbox"/>	<b>Earth wiring</b> Be sure that the earth wires have been connected properly and that the earth terminals are tightened.
<input type="checkbox"/>	<b>Insulation test of the main power circuit</b> Using a megatester for 500 V, check that the insulation resistance of 2 MΩ or more is attained by applying a voltage of 500 V DC between power terminals and earth. <b>NEVER</b> use the megatester for the transmission wiring.
<input type="checkbox"/>	<b>Fuses, circuit breakers, or protection devices</b> Check that the fuses, circuit breakers, or the locally installed protection devices are of the size and type specified in the chapter " <a href="#">4.3.1 Safety device requirements</a> " [p 6]. Be sure that neither a fuse nor a protection device has been bypassed.
<input type="checkbox"/>	<b>Internal wiring</b> Visually check the electrical component box and the inside of the unit for loose connections or damaged electrical components.
<input type="checkbox"/>	<b>Pipe size and pipe insulation</b> Be sure that correct pipe sizes are installed and that the insulation work is properly executed.
<input type="checkbox"/>	<b>Stop valves</b> Be sure that the stop valves are open on both liquid and gas side.
<input type="checkbox"/>	<b>Damaged equipment</b> Check the inside of the unit for damaged components or squeezed pipes.
<input type="checkbox"/>	<b>Refrigerant leak</b> Check the inside of the unit on refrigerant leakage. If there is a refrigerant leak, try to repair the leak. If the repair is unsuccessful, call your local dealer. Do not touch any refrigerant which has leaked out from refrigerant piping connections. This may result in frostbite.
<input type="checkbox"/>	<b>Oil leak</b> Check the compressor for oil leakage. If there is an oil leak, try to repair the leak. If the repairing is unsuccessful, call your local dealer.
<input type="checkbox"/>	<b>Air inlet/outlet</b> Check that the air inlet and outlet of the unit is <b>NOT</b> obstructed by paper sheets, cardboard, or any other material.
<input type="checkbox"/>	<b>Additional refrigerant charge</b> The amount of refrigerant to be added to the unit shall be written on the included "Added refrigerant" plate and attached to the rear side of the front cover.
<input type="checkbox"/>	<b>Installation date and field setting</b> Be sure to keep a record of the installation date on the sticker on the rear of the front panel according to EN60335-2-40 and keep record of the contents of the field setting(s).

### 7.3 Checklist during commissioning

<input type="checkbox"/>	To perform a <b>test run</b> .
--------------------------	--------------------------------

## 8 Troubleshooting

### 7.3.1 About the test run

The procedure below describes the test operation of the complete system. This operation checks and judges following items:

- Check of wrong wiring (communication check with indoor units).
- Check of the stop valves opening.
- Judgement of piping length.

Make sure to carry out the system test operation after the first installation. Otherwise, the malfunction code  $E3$  will be displayed on the user interface and normal operation or individual indoor unit test run cannot be carried out.

Abnormalities on indoor units cannot be checked for each unit separately. After the test operation is finished, check the indoor units one by one by performing a normal operation using the user interface. Refer to the indoor unit installation manual for more details concerning the individual test run.

#### INFORMATION

- It may take 10 minutes to achieve a uniform refrigerant state before the compressor starts.
- During the test operation, the refrigerant running sound or the magnetic sound of a solenoid valve may become loud and the display indication may change. These are not malfunctions.

### 7.3.2 To perform a test run (7-LEDs display)

- 1 Make sure all field settings you want are set; see "6.1 Making field settings" [p 14].
- 2 Turn ON the power to the outdoor unit and the connected indoor units.





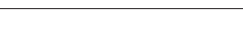

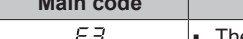
#### NOTICE

Be sure to turn on the power 6 hours before operation in order to have power running to the crankcase heater and to protect the compressor.

- 3 Make sure the default (idle) situation is existing (H1P is OFF); see "6.1.4 To access mode 1 or 2" [p 15]. Push BS4 for 5 seconds or more. The unit will start test operation.

**Result:** The test operation is automatically carried out, the outdoor unit H2P flashes and the indication "Test operation" and "Under centralised control" will display on the user interface of indoor units.

Steps during the automatic system test run procedure:

Step	Description
	Control before start up (pressure equalisation)
	Cooling start up control
	Cooling stable condition
	Communication check
	Stop valve check
	Pipe length check
	Pump down operation

### 8.1.1 Error codes: Overview



Main code	Cause	Solution
$E3$	<ul style="list-style-type: none"> <li>• The stop valve of an outdoor unit is left closed.</li> <li>• Refrigerant overcharge</li> </ul>	<ul style="list-style-type: none"> <li>• Open the stop valve on both the gas and liquid side.</li> <li>• Recalculate the required amount of refrigerant from the piping length and correct the refrigerant charge level by recovering any excessive refrigerant with a refrigerant recovery machine.</li> </ul>

Step	Description
	Unit stop

#### INFORMATION

During the test operation, it is not possible to stop the unit operation from a user interface. To abort the operation, press BS3. The unit will stop after  $\pm 30$  seconds.

- 4 Check the test operation results on the outdoor unit 7-LEDs display.

Completion	Description
Normal completion	
Abnormal completion	 Refer to "7.3.3 Correcting after abnormal completion of the test run" [p 20] to take actions for correcting the abnormality. When the test operation is fully completed, normal operation will be possible after 5 minutes.

### 7.3.3 Correcting after abnormal completion of the test run

The test operation is only completed if there is no malfunction code displayed. In case of a displayed malfunction code, perform correcting actions as explained in the malfunction code table. Carry out the test operation again and confirm that the abnormality is properly corrected.

#### INFORMATION

If a malfunction occurs, the error code is displayed on the user interface of the indoor unit.

#### INFORMATION

Refer to the installation manual of the indoor unit for detailed malfunction codes related to indoor units.

## 8 Troubleshooting

### 8.1 Solving problems based on error codes

In case of a displayed malfunction code, perform correcting actions as explained in the malfunction code table.

After correcting the abnormality, press BS3 to reset the malfunction code and retry operation.

#### INFORMATION

If a malfunction occurs, the error code is displayed on the user interface of the indoor unit.

#### INFORMATION

If a malfunction occurs, the error code is displayed on the outdoor unit's 7-segments display and on the user interface of the indoor unit.

Main code	Cause	Solution
<i>E4</i>	<ul style="list-style-type: none"> <li>▪ The stop valve of an outdoor unit is left closed.</li> <li>▪ Insufficient refrigerant</li> </ul>	<ul style="list-style-type: none"> <li>▪ Open the stop valve on both the gas and liquid side.</li> <li>▪ Check if the additional refrigerant charge has been finished correctly. Recalculate the required amount of refrigerant from the piping length and add an adequate amount of refrigerant.</li> </ul>
<i>E9</i>	Electronic expansion valve malfunction (Y1E) - A1P (X21A) (Y3E) - A1P (X22A)	Check connection on PCB or actuator.
<i>F3</i>	<ul style="list-style-type: none"> <li>▪ The stop valve of an outdoor unit is left closed.</li> <li>▪ Insufficient refrigerant</li> </ul>	<ul style="list-style-type: none"> <li>▪ Open the stop valve on both the gas and liquid side.</li> <li>▪ Check if the additional refrigerant charge has been finished correctly. Recalculate the required amount of refrigerant from the piping length and add an adequate amount of refrigerant.</li> </ul>
<i>F5</i>	Refrigerant overcharge	Recalculate the required amount of refrigerant from the piping length and correct the refrigerant charge level by recovering any excessive refrigerant with a refrigerant recovery machine.
<i>H9</i>	Ambient temperature sensor malfunction (R1T) - A1P (X11A)	Check connection on PCB or actuator.
<i>J3</i>	Discharge temperature sensor malfunction (R2T): open circuit / short circuit - A1P (X12A)	Check connection on PCB or actuator.
<i>J5</i>	Suction temperature sensor malfunction (R3T) - A1P (X12A) (R5T) - A1P (X12A)	Check connection on PCB or actuator.
<i>J6</i>	Liquid temperature sensor (coil) malfunction (R4T) - A1P (X12A)	Check connection on PCB or actuator.
<i>J7</i>	Liquid temperature sensor (after subcool HE) malfunction (R7T) - A1P (X13A)	Check connection on PCB or actuator.
<i>J9</i>	Gas temperature sensor (after subcool HE) malfunction (R6T) - A1P (X13A)	Check connection on PCB or actuator.
<i>JA</i>	High pressure sensor malfunction (S1NPH): open circuit / short circuit - A1P (X17A)	Check connection on PCB or actuator.
<i>JC</i>	Low pressure sensor malfunction (S1NPL): open circuit / short circuit - A1P (X18A)	Check connection on PCB or actuator.
<i>LC</i>	Transmission outdoor unit - inverter: INV1 / FAN1 transmission trouble	Check connection.
<i>P1</i>	INV1 unbalanced power supply voltage	Check if power supply is within range.
<i>U2</i>	Insufficient supply voltage	Check if the supply voltage is supplied properly.
<i>U3</i>	Malfunction code: System test run not yet executed (system operation not possible)	Execute system test run.
<i>U4</i>	No power is supplied to the outdoor unit.	Check if the power wiring for the outdoor unit is connected correctly.
<i>U7</i>	Faulty wiring to Q1/Q2	Check Q1/Q2 wiring.
<i>U9</i>	System mismatch. Wrong type of indoor units combined (R410A, R407C, RA, etc) Indoor unit malfunction	Check if other indoor units have malfunction and confirm indoor unit mix is allowed.
<i>UR</i>	Improper type of indoor units are connected.	Check the type of indoor units that are currently connected. If they are not proper, replace them with proper ones.
<i>UH</i>	Incorrect interconnections between units.	Connect interconnections F1 and F2 of the connected BP unit correctly to the outdoor unit's PCB (TO BP UNIT). Make sure that the communication with the BP unit is enabled.
<i>UF</i>	<ul style="list-style-type: none"> <li>▪ The stop valve of an outdoor unit is left closed.</li> <li>▪ The piping and wiring of the specified indoor unit are not connected correctly to the outdoor unit.</li> </ul>	<ul style="list-style-type: none"> <li>▪ Open the stop valve on both the gas and liquid side.</li> <li>▪ Confirm that the piping and wiring of the specified indoor unit are connected correctly to the outdoor unit.</li> </ul>

## 9 Technical data

### 9 Technical data


A **subset** of the latest technical data is available on the regional Daikin website (publicly accessible). The **full set** of latest technical data is available on the Daikin Business Portal (authentication required).

#### 9.1 Service space: Outdoor unit

When mounting units side by side, the piping route must be to the front or downwards. In this case the piping route to the side is not possible.

##### Single unit (□) | Single row of units (◄□□□►)

See figure 1 on the inside of the front cover.

- A,B,C,D** Obstacles (walls/baffle plates)
- E** Obstacle (roof)
- a,b,c,d,e** Minimum service space between the unit and obstacles A, B, C, D and E
- e<sub>B</sub>** Maximum distance between the unit and the edge of obstacle E, in the direction of obstacle B
- e<sub>D</sub>** Maximum distance between the unit and the edge of obstacle E, in the direction of obstacle D
- H<sub>U</sub>** Height of the unit
- H<sub>B</sub>,H<sub>D</sub>** Height of obstacles B and D
- 1** Seal the bottom of the installation frame to prevent discharged air from flowing back to the suction side through the bottom of the unit.
- 2** Maximum two units can be installed.
-  Not allowed

##### Multiple rows of units (◄□□□► ◄□□□► ◄□□□►)

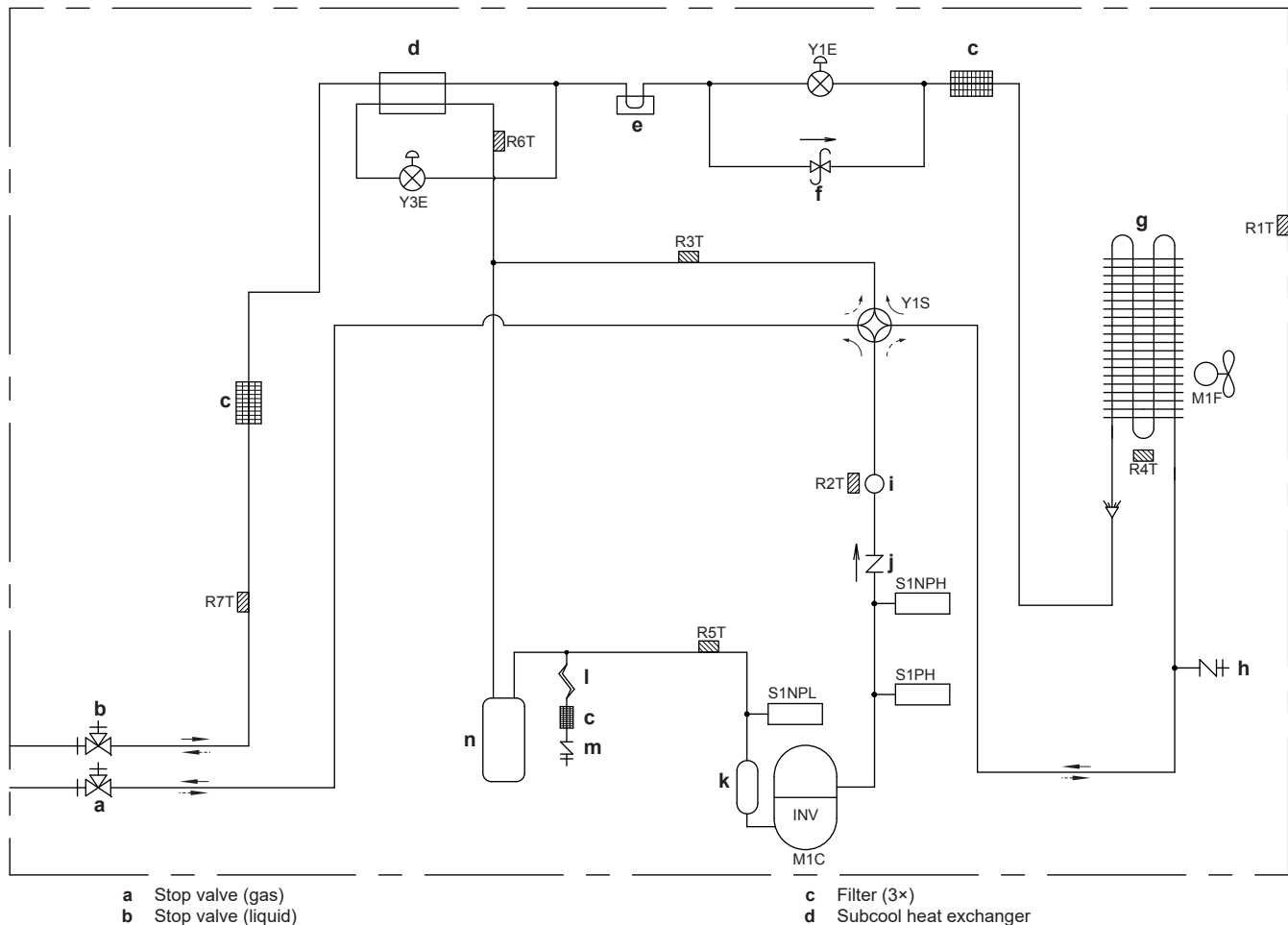
See figure 2 on the inside of the front cover.



##### Stacked units (max. 2 levels) (◄□□□► ◄□□□►)

See figure 3 on the inside of the front cover.

- A1=>A2** (A1) If there is danger of drainage dripping and freezing between the upper and lower units...  
(A2) Then install a **roof** between the upper and lower units. Install the upper unit high enough above the lower unit to prevent ice buildup at the upper unit's bottom plate.
- B1=>B2** (B1) If there is no danger of drainage dripping and freezing between the upper and lower units...  
(B2) Then it is not required to install a roof, but **seal the gap** between the upper and lower units to prevent discharged air from flowing back to the suction side through the bottom of the unit.

#### 9.2 Piping diagram: Outdoor unit



<b>e</b>	Heat sink PCB
<b>f</b>	Pressure regulating valve
<b>g</b>	Heat exchanger
<b>h</b>	Service port (high pressure)
<b>i</b>	Muffler
<b>j</b>	Check valve
<b>k</b>	Compressor accumulator
<b>l</b>	Capillary tube
<b>m</b>	Service port (refrigerant charge)
<b>n</b>	Accumulator
<b>M1C</b>	Compressor
<b>M1F</b>	Fan motor
<b>R1T</b>	Thermistor (air)
<b>R2T</b>	Thermistor (discharge)
<b>R3T</b>	Thermistor (suction 1)
<b>R4T</b>	Thermistor (heat exchanger de-icer)
<b>R5T</b>	Thermistor (suction 2)
<b>R6T</b>	Thermistor (subcool heat exchanger)
<b>R7T</b>	Thermistor (liquid pipe)
<b>S1NPH</b>	High pressure sensor
<b>S1NPL</b>	Low pressure sensor
<b>S1PH</b>	High pressure switch
<b>Y1E</b>	Electronic expansion valve (main)
<b>Y3E</b>	Electronic expansion valve (subcool heat exchanger)
<b>Y1S</b>	Solenoid valve (4-way valve)
	Heating
	Cooling

WHT	White
YLW	Yellow

**Legend for wiring diagram RXYSCQ4~6:**

A1P	Printed circuit board (main)
A2P	Printed circuit board
BS1~BS5	Push button switch
C1	Capacitor
DS1	DIP switch
E1HC	Crankcase heater
F1U	Fuse
F3U, F4U	Fuse (T 6.3 A / 250 V)
F6U	Fuse (T 5.0 A / 250 V)
H1P~H8P	Light-emitting diode (service monitor orange)
H2P:	
	▪ Prepare, test: Flickering
	▪ Malfunction detection: Light up
HAP	Light-emitting diode (service monitor is green)
HBP	Light-emitting diode (service monitor is green)
K11M	Magnetic contactor
K1R	Magnetic relay (Y1S)
K4R	Magnetic relay (E1HC)
K10R	Magnetic relay
L1R~L3R	Reactor
M1C	Motor (compressor)
M1F	Motor (fan)
PS	Switching power supply
R1, R2	Resistor
R1T	Thermistor (air)
R2T	Thermistor (discharge)
R3T	Thermistor (suction 1)
R4T	Thermistor (heat exchanger de-icer)
R5T	Thermistor (suction 2)
R6T	Thermistor (subcool heat exchanger)
R7T	Thermistor (liquid pipe)
FINTH	Thermistor (fin)
S1NPH	High pressure sensor
S1NPL	Low pressure sensor
S1PH	High pressure switch
V1R	IGBT power module
V2R	Diode module
V1T~V3T	Insulated gate bipolar transistor (IGBT)
V1D~V3D	Diode
X1M, X2M	Terminal strip
X37A	Connector
Y1E	Electronic expansion valve (main)
Y3E	Electronic expansion valve (subcool heat exchanger)
Y1S	Solenoid valve (4-way valve)
Z1C~Z7C	Noise filter (ferrite core)
Z1F~Z5F	Noise filter




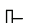




### 9.3 Wiring diagram: Outdoor unit

The wiring diagram is delivered with the unit, located at the inside of the service cover.

**Notes for RXYSCQ4~6:**

- 1 This wiring diagram applies only to the outdoor unit.
- 2 Symbols (see below).
- 3 Refer to the installation manual for how to use the BS1~BS5 and DS1+DS2 switches.
- 4 When operating, do not short-circuit protective device S1PH.
- 5 Colours (see below).
- 6 Refer to the installation manual for connection wiring to INDOOR-OUTDOOR transmission F1-F2.
- 7 When using the central control system, connect OUTDOOR-OUTDOOR transmission F1-F2.

**Symbols:**

L	Live
N	Neutral
	Field wiring
	Terminal strip
	Connector
	Fixed connector
	Movable connector
	Protective earth (screw)
	Noiseless earth
	Terminal

**Colours:**

BLK	Black
BLU	Blue
BRN	Brown
GRN	Green
ORG	Orange
RED	Red

## For the user

### 10 About the system

The indoor unit part of VRV IV-S heat pump system can be used for heating/cooling applications. The type of indoor unit which can be used depends on the outdoor units series.

#### NOTICE

Do NOT use the system for other purposes. In order to avoid any quality deterioration, do NOT use the unit for cooling precision instruments, food, plants, animals, or works of art.

#### NOTICE

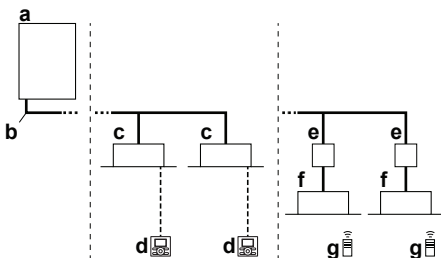
For future modifications or expansions of your system:

A full overview of allowable combinations (for future system extensions) is available in technical engineering data and should be consulted. Contact your installer to receive more information and professional advice.

#### INFORMATION

- Combination of VRV DX and RA DX indoor units is not allowed.
- Combination of RA DX and AHU indoor units is not allowed.
- Combination of RA DX and aircurtain indoor units is not allowed.

#### 10.1 System layout



- a VRV IV-S Heat pump outdoor unit
- b Refrigerant piping
- c VRV direct expansion (DX) indoor unit
- d User interface (dedicated depending on indoor unit type)
- e BP box (required to connect Residential Air (RA) or Sky Air (SA) direct expansion (DX) indoor units)
- f Residential Air (RA) direct expansion (DX) indoor units
- g User interface (wireless, dedicated depending on indoor unit type)

### 11 User interface

#### CAUTION

- NEVER touch the internal parts of the controller.
- Do NOT remove the front panel. Some parts inside are dangerous to touch and appliance problems may happen. For checking and adjusting the internal parts, contact your dealer.

This operation manual offers a non-exhaustive overview of the main functions of the system.

Detailed information on required actions to achieve certain functions can be found in the dedicated installation and operation manual of the indoor unit.

Refer to the operation manual of the installed user interface.

### 12 Operation

#### 12.1 Operation range

Use the system in the following temperature and humidity ranges for safe and effective operation.

	Cooling	Heating
Outdoor temperature	-5~46°C DB	-20~21°C DB -20~15.5°C WB
Indoor temperature	21~32°C DB 14~25°C WB	15~27°C DB
Indoor humidity	≤80% <sup>(a)</sup>	

- (a) To avoid condensation and water dripping out of the unit. If the temperature or the humidity is beyond these conditions, safety devices may be put in action and the air conditioner may not operate.

Above operation range is only valid in case direct expansion indoor units are connected to the VRV IV-S system.

Special operation ranges are valid in case of using AHU. They can be found in the installation/operation manual of the dedicated unit. Latest information can be found in the technical engineering data.

#### 12.2 Operating the system

##### 12.2.1 About operating the system

- Operation procedure varies according to the combination of outdoor unit and user interface.
- To protect the unit, turn on the main power switch 6 hours before operation.
- If the main power supply is turned off during operation, operation will restart automatically after the power turns back on again.

##### 12.2.2 About cooling, heating, fan only, and automatic operation

- Changeover cannot be made with a user interface whose display shows "change-over under centralised control" (refer to installation and operation manual of the user interface).
- When the display "change-over under centralised control" flashes, refer to "12.5.1 About setting the master user interface" [p. 25].
- The fan may keep on running for about 1 minute after the heating operation stops.
- The air flow rate may adjust itself depending on the room temperature or the fan may stop immediately. This is not a malfunction.

##### 12.2.3 About the heating operation

It may take longer to reach the set temperature for general heating operation than for cooling operation.


The following operation is performed in order to prevent the heating capacity from dropping or cold air from blowing.




**Defrost operation**

In heating operation, freezing of the outdoor unit's air cooled coil increases over time, restricting the energy transfer to the outdoor unit's coil. Heating capability decreases and the system needs to go into defrost operation to be able to remove frost from the outdoor unit's coil. During defrost operation the heating capacity on the indoor unit side will temporarily drop until defrosting is completed. After defrosting, the unit will regain its full heating capacity.




The indoor unit will stop fan operation, the refrigerant cycle will reverse and energy from inside the building will be used to defrost the outdoor unit coil.

The indoor unit will indicate defrost operation on the display .

**Hot start**

In order to prevent cold air from blowing out of an indoor unit at the start of heating operation, the indoor fan is automatically stopped. The display of the user interface shows . It may take some time before the fan starts. This is not a malfunction.

**12.2.4 To operate the system**

- 1 Press the operation mode selector button on the user interface several times and select the operation mode of your choice.
  -  Cooling operation
  -  Heating operation
  -  Fan only operation

- 2 Press the ON/OFF button on the user interface.

**Result:** The operation lamp lights up and the system starts operating.


**12.3 Using the dry program**

**12.3.1 About the dry program**

- The function of this program is to decrease the humidity in your room with minimal temperature decrease (minimal room cooling).
- The micro computer automatically determines temperature and fan speed (cannot be set by the user interface).
- The system does not go into operation if the room temperature is low (<20°C).

**12.3.2 To use the dry program**

**To start**

- 1 Press the operation mode selector button on the user interface several times and select  (program dry operation).
- 2 Press the ON/OFF button of the user interface.
 

**Result:** The operation lamp lights up and the system starts operating.
- 3 Press the air flow direction adjust button (only for double-flow, multi-flow, corner, ceiling-suspended and wall-mounted). Refer to "12.4 Adjusting the air flow direction" [p. 25] for details.

**To stop**

- 4 Press the ON/OFF button on the user interface once again.

**Result:** The operation lamp goes out and the system stops operating.



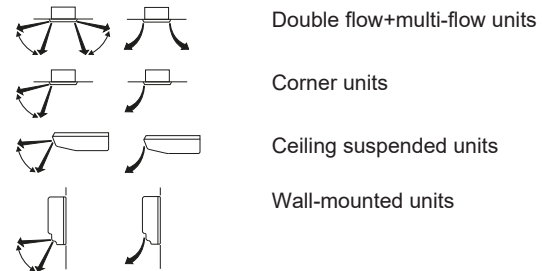
**NOTICE**

Do not turn off power immediately after the unit stops, but wait for at least 5 minutes.

**12.4 Adjusting the air flow direction**

Refer to the operation manual of the user interface.



**12.4.1 About the air flow flap**



For the following conditions, a micro computer controls the air flow direction which may be different from the display.

Cooling	Heating
<ul style="list-style-type: none"> <li>When the room temperature is lower than the set temperature.</li> </ul>	<ul style="list-style-type: none"> <li>When starting operation.</li> <li>When the room temperature is higher than the set temperature.</li> <li>At defrost operation.</li> </ul>
<ul style="list-style-type: none"> <li>When operating continuously at horizontal air flow direction.</li> <li>When continuous operation with downward air flow is performed at the time of cooling with a ceiling-suspended or a wall-mounted unit, the micro computer may control the flow direction, and then the user interface indication will also change.</li> </ul>	

The air flow direction can be adjusted in one of the following ways:

- The air flow flap itself adjusts its position.
- The air flow direction can be fixed by the user.
- Automatic  and desired position .

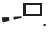


**WARNING**

Never touch the air outlet or the horizontal blades while the swing flap is in operation. Fingers may become caught or the unit may break down.

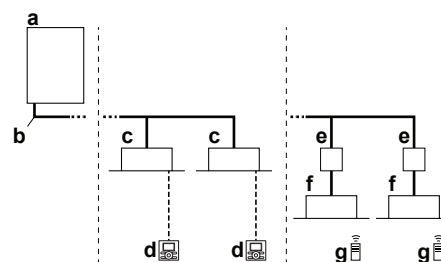


**NOTICE**

- The movable limit of the flap is changeable. Contact your dealer for details. (only for double-flow, multi-flow, corner, ceiling-suspended and wall-mounted).
- Avoid operating in the horizontal direction . It may cause dew or dust to settle on the ceiling or flap.

**12.5 Setting the master user interface**

**12.5.1 About setting the master user interface**




- a VRV IV-S Heat pump outdoor unit
- b Refrigerant piping
- c VRV direct expansion (DX) indoor unit
- d User interface (dedicated depending on indoor unit type)

## 13 Maintenance and service

- e BP box (required to connect Residential Air (RA) or Sky Air (SA) direct expansion (DX) indoor units)
- f Residential Air (RA) direct expansion (DX) indoor units
- g User interface (wireless, dedicated depending on indoor unit type)

When the system is installed as shown in the figure above, it is necessary to designate one of the user interfaces as the master user interface.

The displays of slave user interfaces show  (change-over under centralised control) and slave user interfaces automatically follow the operation mode directed by the master user interface.

Only the master user interface can select heating or cooling mode.



### 12.5.2 To designate the master user interface (VRV DX)

In case only VRV DX indoor units are connected to the VRV IV-S system:

- 1 Press the operation mode selector button of the current master user interface for 4 seconds. In case this procedure was not yet performed, the procedure can be executed on the first user interface operated.

**Result:** The display showing  (change-over under centralised control) of all slave user interfaces connected to the same outdoor unit flashes.

- 2 Press the operation mode selector button of the controller that you wish to designate as the master user interface.

**Result:** Designation is completed. This user interface is designated as the master user interface and the display showing  (change-over under centralised control) vanishes. The displays of other user interfaces show  (change-over under centralised control).

### 12.5.3 To designate the master user interface (RA DX)

In case only RA DX indoor units are connected to the VRV IV-S system:

- 1 Stop all indoor units.
- 2 When the system is not operating (all indoor units thermo OFF), you can define the master RA DX indoor unit by addressing that unit with infrared user interface (instruct thermo ON in desired mode).

The only way to change the master unit is by repeating the previous procedure. A cool/heat switchover (or opposite) is only possible by changing the operation mode of the defined master indoor unit.

## 13 Maintenance and service

### NOTICE

Never inspect or service the unit by yourself. Ask a qualified service person to perform this work.

### WARNING

Never replace a fuse with a fuse of a wrong ampere ratings or other wires when a fuse blows out. Use of wire or copper wire may cause the unit to break down or cause a fire.

### CAUTION

Do NOT insert fingers, rods or other objects into the air inlet or outlet. Do NOT remove the fan guard. When the fan is rotating at high speed, it will cause injury.

### CAUTION

After a long use, check the unit stand and fitting for damage. If damaged, the unit may fall and result in injury.

### NOTICE

Do NOT wipe the controller operation panel with benzene, thinner, chemical dust cloth, etc. The panel may get discoloured or the coating peeled off. If it is heavily dirty, soak a cloth in water-diluted neutral detergent, squeeze it well and wipe the panel clean. Wipe it with another dry cloth.

## 13.1 About the refrigerant

This product contains fluorinated greenhouse gases. Do NOT vent gases into the atmosphere.

Refrigerant type: R410A

Global warming potential (GWP) value: 2087.5

### NOTICE

Applicable legislation on **fluorinated greenhouse gases** requires that the refrigerant charge of the unit is indicated both in weight and CO<sub>2</sub> equivalent.

**Formula to calculate the quantity in CO<sub>2</sub> equivalent tonnes:** GWP value of the refrigerant × total refrigerant charge [in kg] / 1000

Please contact your installer for more information.

### WARNING

The refrigerant in the system is safe and normally does not leak. If the refrigerant leaks in the room, contact with a fire of a burner, a heater or a cooker may result in a harmful gas.

Turn off any combustible heating devices, ventilate the room and contact the dealer where you purchased the unit.

Do not use the system until a service person confirms that the portion where the refrigerant leaks is repaired.

## 13.2 After-sales service and warranty

### 13.2.1 Warranty period

- This product includes a warranty card that was filled in by the dealer at the time of installation. The completed card has to be checked by the customer and stored carefully.
- If repairs to the product are necessary within the warranty period, contact your dealer and keep the warranty card at hand.

### 13.2.2 Recommended maintenance and inspection

Since dust collects when using the unit for several years, performance of the unit will deteriorate to some extent. As taking apart and cleaning interiors of units requires technical expertise and in order to ensure the best possible maintenance of your units, we recommend to enter into a maintenance and inspection contract on top of normal maintenance activities. Our network of dealers has access to a permanent stock of essential components in order to keep your unit in operation as long as possible. Contact your dealer for more information.

**When asking your dealer for an intervention, always state:**

- The complete model name of the unit.
- The manufacturing number (stated on the nameplate of the unit).
- The installation date.

- The symptoms or malfunction, and details of the defect.

**WARNING**

- Do not modify, disassemble, remove, reinstall or repair the unit yourself as incorrect dismantling or installation may cause an electric shock or fire. Contact your dealer.
- In case of accidental refrigerant leaks, make sure there are no naked flames. The refrigerant itself is entirely safe, non-toxic and non-combustible, but it will generate toxic gas when it accidentally leaks into a room where combustible air from fan heaters, gas cookers, etc. is present. Always have qualified service personnel confirm that the point of leakage has been repaired or corrected before resuming operation.

## 14 Troubleshooting

If one of the following malfunctions occur, take the measures shown below and contact your dealer.

**WARNING**


**Stop operation and shut off the power if anything unusual occurs (burning smells etc.).**

Leaving the unit running under such circumstances may cause breakage, electric shock or fire. Contact your dealer.

The system MUST be repaired by a qualified service person.

Malfunction	Measure
If a safety device such as a fuse, a breaker or an earth leakage breaker frequently actuates or the ON/OFF switch does NOT properly work.	Turn OFF the main power switch.
If water leaks from the unit.	Stop the operation.
The operation switch does NOT work well.	Turn OFF the power supply.
If the user interface display indicates the unit number, the operation lamp flashes and the malfunction code appears.	Notify your installer and report the malfunction code.

If the system does NOT operate properly except for the above mentioned cases and none of the above mentioned malfunctions is evident, investigate the system according to the following procedures.

Malfunction	Measure
If the system does not operate at all.	<ul style="list-style-type: none"> <li>• Check if there is no power failure. Wait until power is restored. If power failure occurs during operation, the system automatically restarts immediately after power is restored.</li> <li>• Check if no fuse has blown or breaker is activated. Change the fuse or reset the breaker if necessary.</li> </ul>
If the system goes into fan only operation, but as soon as it goes into heating or cooling operation, the system stops.	<ul style="list-style-type: none"> <li>• Check if air inlet or outlet of outdoor or indoor unit is not blocked by obstacles. Remove any obstacles and make sure the air can flow freely.</li> <li>• Check if the user interface display shows  (time to clean the air filter). (Refer to "13 Maintenance and service" [p 26] and "Maintenance" in the indoor unit manual.)</li> </ul>

Malfunction	Measure
The system operates but cooling or heating is insufficient.	<ul style="list-style-type: none"> <li>• Check if air inlet or outlet of outdoor or indoor unit is not blocked by obstacles. Remove any obstacles and make sure the air can flow freely.</li> <li>• Check if the air filter is not clogged (refer to "Maintenance" in the indoor unit manual).</li> <li>• Check the temperature setting.</li> <li>• Check the fan speed setting on your user interface.</li> <li>• Check for open doors or windows. Close doors and windows to prevent wind from coming in.</li> <li>• Check if there are too many occupants in the room during cooling operation. Check if the heat source of the room is excessive.</li> <li>• Check if direct sunlight enters the room. Use curtains or blinds.</li> <li>• Check if the air flow angle is proper.</li> </ul>

If after checking all above items, it is impossible to fix the problem yourself, contact your installer and state the symptoms, the complete model name of the unit (with manufacturing number if possible) and the installation date (possibly listed on the warranty card).

### 14.1 Error codes: Overview

In case a malfunction code appears on the indoor unit user interface display, contact your installer and inform the malfunction code, the unit type, and serial number (you can find this information on the nameplate of the unit).

For your reference, a list with malfunction codes is provided. You can, depending on the level of the malfunction code, reset the code by pushing the ON/OFF button. If not, ask your installer for advice.

Main code	Contents
<i>R0</i>	External protection device was activated
<i>R1</i>	EEPROM failure (indoor)
<i>R3</i>	Drain system malfunction (indoor)
<i>R5</i>	Fan motor malfunction (indoor)
<i>R7</i>	Swing flap motor malfunction (indoor)
<i>R9</i>	Expansion valve malfunction (indoor)
<i>RF</i>	Drain malfunction (indoor unit)
<i>RH</i>	Filter dust chamber malfunction (indoor)
<i>RJ</i>	Capacity setting malfunction (indoor)
<i>C1</i>	Transmission malfunction between main PCB and sub PCB (indoor)
<i>C4</i>	Heat exchanger thermistor malfunction (indoor; liquid)
<i>C5</i>	Heat exchanger thermistor malfunction (indoor; gas)
<i>C9</i>	Suction air thermistor malfunction (indoor)
<i>CR</i>	Discharge air thermistor malfunction (indoor)
<i>CE</i>	Movement detector or floor temperature sensor malfunction (indoor)
<i>CJ</i>	User interface thermistor malfunction (indoor)
<i>E1</i>	PCB malfunction (outdoor)
<i>E3</i>	High pressure switch was activated
<i>E4</i>	Low pressure malfunction (outdoor)
<i>E5</i>	Compressor lock detection (outdoor)
<i>E7</i>	Fan motor malfunction (outdoor)
<i>E9</i>	Electronic expansion valve malfunction (outdoor)

## 14 Troubleshooting

Main code	Contents
F3	Discharge temperature malfunction (outdoor)
F4	Abnormal suction temperature (outdoor)
F6	Refrigerant overcharge detection
H3	High pressure switch malfunction
H4	Low pressure switch malfunction
H7	Fan motor trouble (outdoor)
H9	Ambient temperature sensor malfunction (outdoor)
J1	Pressure sensor malfunction
J2	Current sensor malfunction
J3	Discharge temperature sensor malfunction (outdoor)
J4	Heat exchanger gas temperature sensor malfunction (outdoor)
J5	Suction temperature sensor malfunction (outdoor)
J6	De-icing temperature sensor malfunction (outdoor)
J7	Liquid temperature sensor (after subcool HE) malfunction (outdoor)
J9	Gas temperature sensor (after subcool HE) malfunction (outdoor)
JA	High pressure sensor malfunction (S1NPH)
JC	Low pressure sensor malfunction (S1NPL)
L1	INV PCB abnormal
L4	Fin temperature abnormal
L5	Inverter PCB faulty
L8	Compressor over current detected
L9	Compressor lock (startup)
LC	Transmission outdoor unit - inverter: INV transmission trouble
P1	INV unbalanced power supply voltage
P4	Fin thermistor malfunction
PJ	Capacity setting malfunction (outdoor)
U0	Abnormal low pressure drop, faulty expansion valve
U2	INV voltage power shortage
U3	System test run not yet executed
U4	Faulty wiring indoor/outdoor
U5	Abnormal user interface - indoor communication
U7	Faulty wiring to outdoor/outdoor
U8	Abnormal main-sub user interface communication
U9	System mismatch. Wrong type of indoor units combined. Indoor unit malfunction.
UR	Connection malfunction over indoor units or type mismatch
UC	Centralised address duplication
UE	Malfunction in communication centralised control device - indoor unit
UF	Auto address malfunction (inconsistency)
UH	Auto address malfunction (inconsistency)

### 14.2 Symptoms that are NOT system malfunctions

The following symptoms are NOT system malfunctions:

#### 14.2.1 Symptom: The system does not operate

- The air conditioner does not start immediately after the ON/OFF button on the user interface is pressed. If the operation lamp lights, the system is in normal condition. To prevent overloading of the compressor motor, the air conditioner starts 5 minutes after it

is turned ON again in case it was turned OFF just before. The same starting delay occurs after the operation mode selector button was used.

- If "Under Centralized Control" is displayed on the user interface, pressing the operation button causes the display to blink for a few seconds. The blinking display indicates that the user interface cannot be used.
- The system does not start immediately after the power supply is turned on. Wait one minute until the micro computer is prepared for operation.

#### 14.2.2 Symptom: Fan operation is possible, but cooling and heating do not work

Immediately after the power is turned on. The micro computer is getting ready to operate and is performing a communication check with all indoor units. Please wait 12 minutes maximally until this process is finished.

#### 14.2.3 Symptom: The fan speed does not correspond to the setting

The fan speed does not change even if the fan speed adjustment button is pressed. During heating operation, when the room temperature reaches the set temperature, the outdoor unit goes off and the indoor unit changes to whisper fan speed. This is to prevent cold air blowing directly on occupants of the room. The fan speed will not change even when another indoor unit is in heating operation, if the button is pressed.

#### 14.2.4 Symptom: The fan direction does not correspond to the setting

The fan direction does not correspond with the user interface display. The fan direction does not swing. This is because the unit is being controlled by the micro computer.

#### 14.2.5 Symptom: White mist comes out of a unit (Indoor unit)

- When humidity is high during cooling operation. If the interior of an indoor unit is extremely contaminated, the temperature distribution inside a room becomes uneven. It is necessary to clean the interior of the indoor unit. Ask your dealer for details on cleaning the unit. This operation requires a qualified service person.
- Immediately after the cooling operation stops and if the room temperature and humidity are low. This is because warm refrigerant gas flows back into the indoor unit and generates steam.

#### 14.2.6 Symptom: White mist comes out of a unit (Indoor unit, outdoor unit)

When the system is changed over to heating operation after defrost operation. Moisture generated by defrost becomes steam and is exhausted.

#### 14.2.7 Symptom: The user interface reads "U4" or "U5" and stops, but then restarts after a few minutes

This is because the user interface is intercepting noise from electric appliances other than the air conditioner. The noise prevents communication between the units, causing them to stop. Operation automatically restarts when the noise ceases. A power reset may help to remove this error.

#### 14.2.8 Symptom: Noise of air conditioners (Indoor unit)

- A "zeen" sound is heard immediately after the power supply is turned on. The electronic expansion valve inside an indoor unit starts working and makes the noise. Its volume will reduce in about one minute.
- A continuous low "shah" sound is heard when the system is in cooling operation or at a stop. When the drain pump (optional accessories) is in operation, this noise is heard.
- A "pishi-pishi" squeaking sound is heard when the system stops after heating operation. Expansion and contraction of plastic parts caused by temperature change make this noise.
- A low "sah", "choro-choro" sound is heard while the indoor unit is stopped. When another indoor unit is in operation, this noise is heard. In order to prevent oil and refrigerant from remaining in the system, a small amount of refrigerant is kept flowing.

#### 14.2.9 Symptom: Noise of air conditioners (Indoor unit, outdoor unit)

- A continuous low hissing sound is heard when the system is in cooling or defrost operation. This is the sound of refrigerant gas flowing through both indoor and outdoor units.
- A hissing sound which is heard at the start or immediately after stopping operation or defrost operation. This is the noise of refrigerant caused by flow stop or flow change.

#### 14.2.10 Symptom: Noise of air conditioners (Outdoor unit)

When the tone of operating noise changes. This noise is caused by the change of frequency.

#### 14.2.11 Symptom: Dust comes out of the unit

When the unit is used for the first time in a long time. This is because dust has gotten into the unit.

#### 14.2.12 Symptom: The units can give off odours

The unit can absorb the smell of rooms, furniture, cigarettes, etc., and then emit it again.

#### 14.2.13 Symptom: The outdoor unit fan does not spin

During operation. The speed of the fan is controlled in order to optimise product operation.

#### 14.2.14 Symptom: The display shows "88"

This is the case immediately after the main power supply switch is turned on and means that the user interface is in normal condition. This continues for 1 minute.

#### 14.2.15 Symptom: The compressor in the outdoor unit does not stop after a short heating operation

This is to prevent refrigerant from remaining in the compressor. The unit will stop after 5 to 10 minutes.

#### 14.2.16 Symptom: The inside of an outdoor unit is warm even when the unit has stopped

This is because the crankcase heater is warming the compressor so that the compressor can start smoothly.

#### 14.2.17 Symptom: Hot air can be felt when the indoor unit is stopped

Several different indoor units are being run on the same system. When another unit is running, some refrigerant will still flow through the unit.

## 15 Relocation

Contact your dealer for removing and reinstalling the total unit. Moving units requires technical expertise.

## 16 Disposal

This unit uses hydrofluorocarbon. Contact your dealer when discarding this unit.



### NOTICE

Do NOT try to dismantle the system yourself: dismantling of the system, treatment of the refrigerant, oil and other parts MUST comply with applicable legislation. Units MUST be treated at a specialised treatment facility for reuse, recycling and recovery.





ERC



4P555881-1 B 00000003

Copyright 2019 Daikin

**DAIKIN EUROPE N.V.**

Zandvoordestraat 300, B-8400 Oostende, Belgium

4P555881-1B 2023.02